

RP2122 – RP2122K

PARACOPPA – OIL CARTER PROTECTOR – SABOT MOTEUR – SPEZIFISCHER MOTORSCHUTZ – CUBRE CARTER – COBRE CARTER

YAMAHA TRACER 900 (2015/2017)

N°	Descrizione	Caratteristiche	Codice	Quantità
1	Paracoppa - Oil Carter Protector Sabot Moteur - Spezifischer Motorschutz Cubre Carter - Cobre Carter	-	RP2122	1
2	Supporto superiore - Support higher - Support supérieur Halterung höher - Soporte superior - Apoio superior	Front Right Side	GNB2223V	1(Front Right)
3	Supporto superiore - Support higher - Support supérieur Halterung höher - Soporte superior - Apoio superior	Front Left Side	GNB2224V	1(Front Left)
4	Supporto inferiore - Lower support - Support inférieur - Soporte inferior - Untere Halterung - Suporte inferior	Rear Right Side	GNB2170V	1(Rear Right)
5	Supporto inferiore - Lower support - Support inférieur - Soporte inferior - Untere Halterung - Suporte inferior	Rear Left Side	GL3957V	1(Rear Left)
6	Piastrina di supporto - Support plate Plaque de support - Trägerplatte Pletina de soporte - Placa de apoio	Front Left Side With TN2122	GL4067V	1
7	Piastrina di supporto - Support plate Plaque de support - Trägerplatte Pletina de soporte - Placa de apoio	Front Left Side Without TN2122	GL4072V	1
8	Piastrina di supporto - Support plate Plaque de support - Trägerplatte Pletina de soporte - Placa de apoio	Front Right Side With TN2122	GL4069V	1
9	Piastrina di supporto - Support plate Plaque de support - Trägerplatte Pletina de soporte - Placa de apoio	Front Right Side Without TN2122	GL4071V	1
10	Vite - Screw Vis - Schraube Tornillo - Parafuso	TBEI M5x30	530TBEI	2
11	Vite - Screw Vis - Schraube Tornillo - Parafuso	TSP M6x16	616TSP	9
12	Vite - Screw Vis - Schraube Tornillo - Parafuso	TES M10x65	1065TES	2
13	Vite - Screw Vis - Schraube Tornillo - Parafuso	TECF M8x40	840TECF	2
14	Vite - Screw Vis - Schraube Tornillo - Parafuso	TEF M6x16	616TEF	4

RP2122 – RP2122K

PARACOPPA – OIL CARTER PROTECTOR – SABOT MOTEUR – SPEZIFISCHER MOTORSCHUTZ – CUBRE CARTER – COBRE CARTER

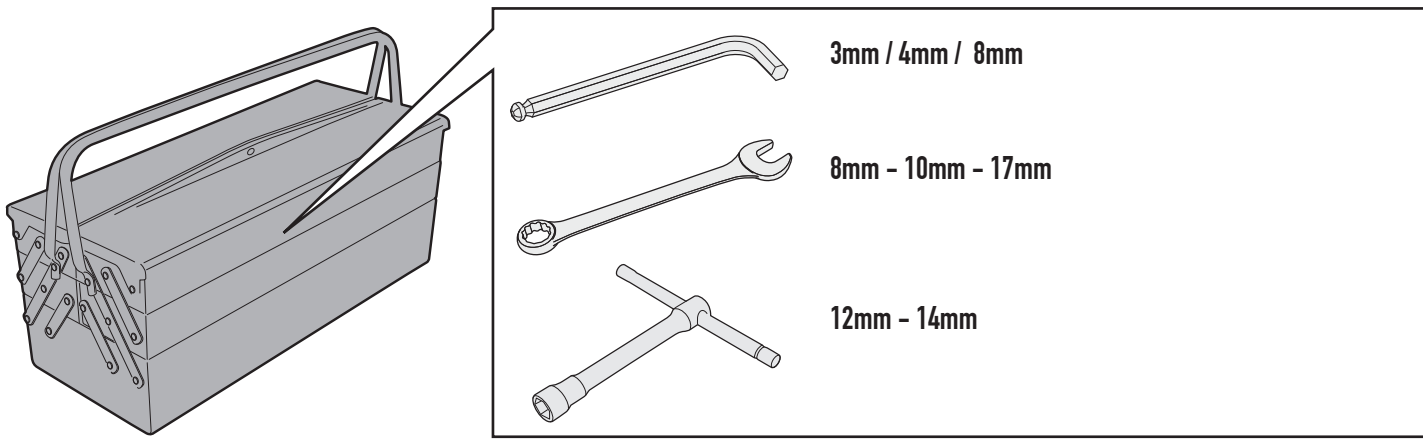
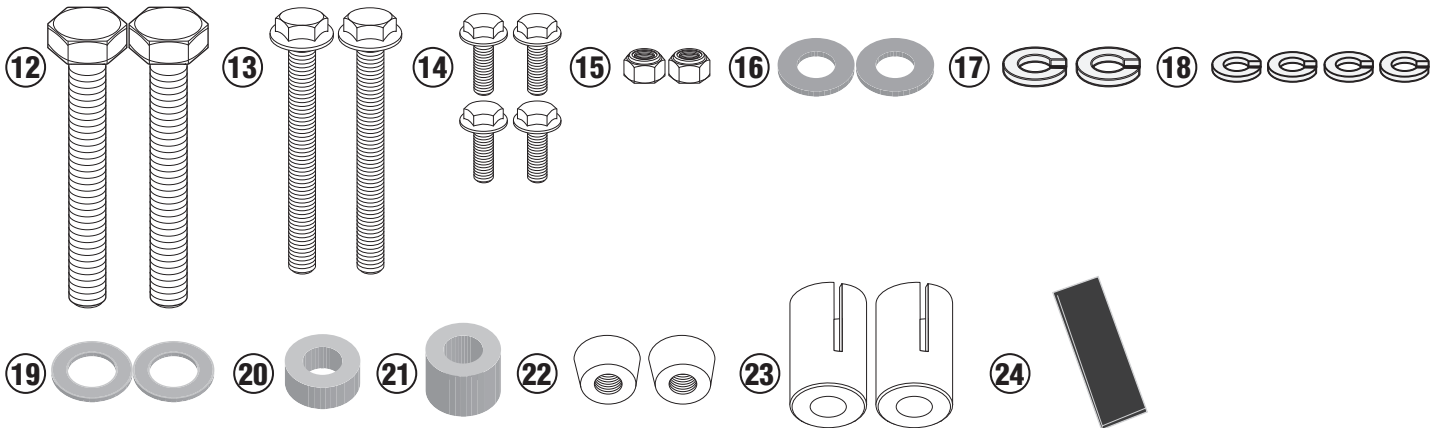
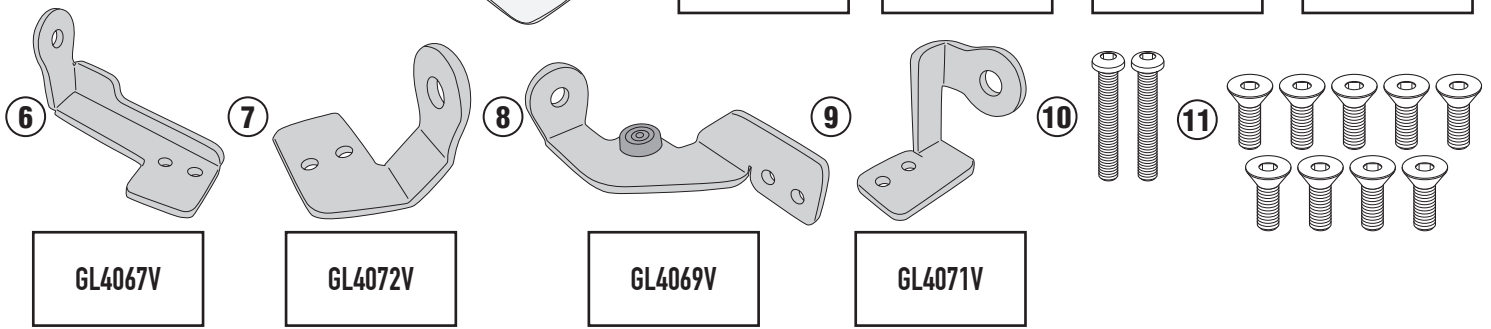
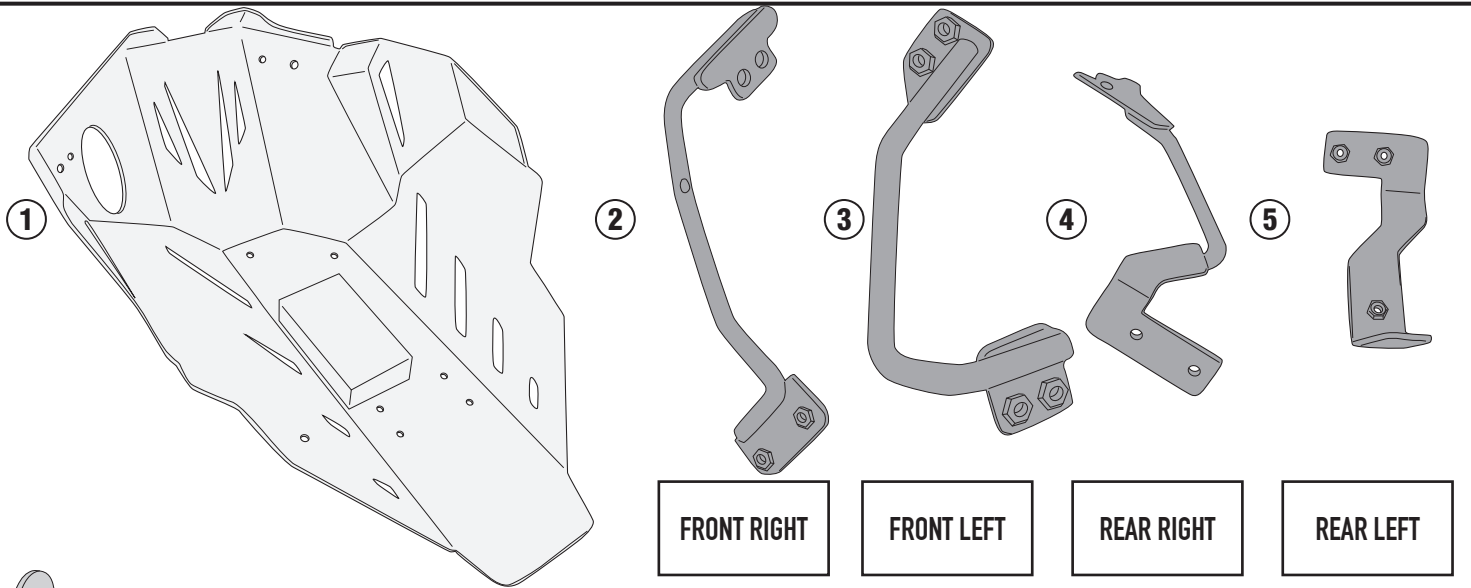
YAMAHA TRACER 900 (2015/2017)

N°	Descrizione	Caratteristiche	Codice	Quantità
15	Dado - Bolt - Ecrou Mutter - Tuerca - Porca	Dado Autobloccante M5	5DADIAU	2
16	Rondella - Washer Rondelle - Scheibe Arandela - Arruela	Ø10	GL1261	2
17	Rondella spaccata - Split washer Scheibe - Rondelle fendue Arandela seccionada - Arruela Dentada	Ø8	Z1060	2
18	Rondella spaccata - Split washer Scheibe - Rondelle fendue Arandela seccionada - Arruela Dentada	Ø6	Z1063	4
19	Rondella Inox - Stainless Steel Washer Rondelle Inox - Rostfreie Unterlegscheibe Aus Stahl Arandela Inox - Arruela Lisa De Aço Inox	Ø10	101RON	2
20	Distanziale - Spacer Entretoise - Distanzstueck Distanciador - Espaçador	Ø20x8 Foro 10.5mm	C20L8F10,5T	1
21	Distanziale - Spacer Entretoise - Distanzstueck Distanciador - Espaçador	Ø20x15 Foro 10.5mm	C20L15F10,5T	1
22	Cono Filettato - Threaded Cone Cone Filete - Kegel Gewinde Cono Roscado - Cone Rosqueado	-	V376	2
23	Fisher - Expanding Tube Insert Cheville - Elastischer Rohreinsatz Taco	-	V568	2
24	Mousse Protettiva - Protective Rubber Pads Mousse De Protection - Schutzgummi Espuma Adhesiva Protectora - Espuma adesiva protetora	20x40x3	MOUSSE3	1
25	Componenti Originali - Original Parts Parties Originales - Original Bauteile Componentes Originales - Componentes Originais	-	-	-
26	Particolari Inclusi nel TN2122 Components Included In The TN2122 Pièces Incluses Dans TN2122 Die Einzelnen Teile Sind Bei TN2122 Despieces Incluidos TN2122 Componentes incluidos na TN2122	-	-	-

RP2122 - RP2122K

PARACOPPA - OIL CARTER PROTECTOR - SABOT MOTEUR - SPEZIFISCHER MOTORSCHUTZ - CUBRE CARTER - COBRE CARTER

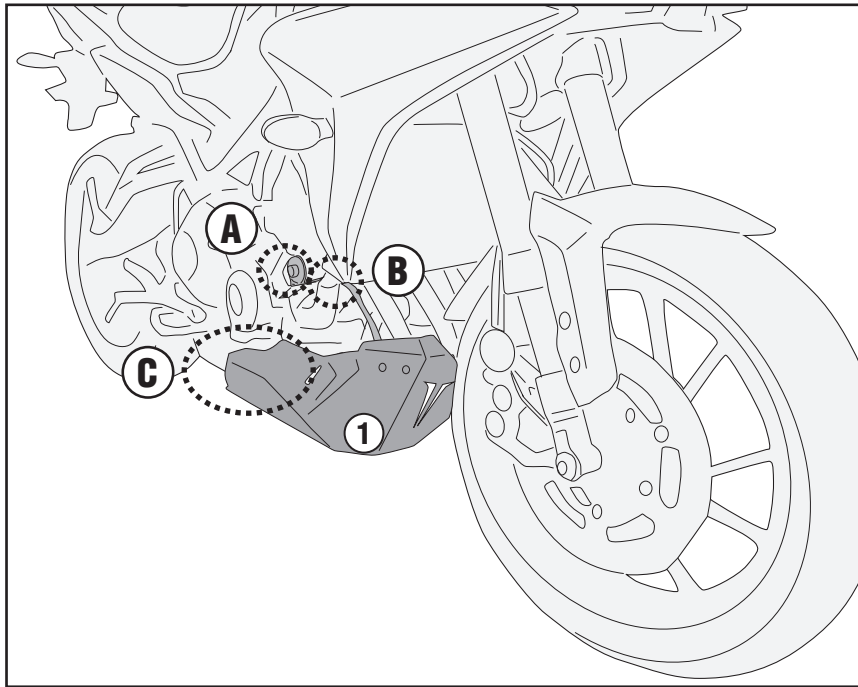
YAMAHA TRACER 900 (2015/2017)



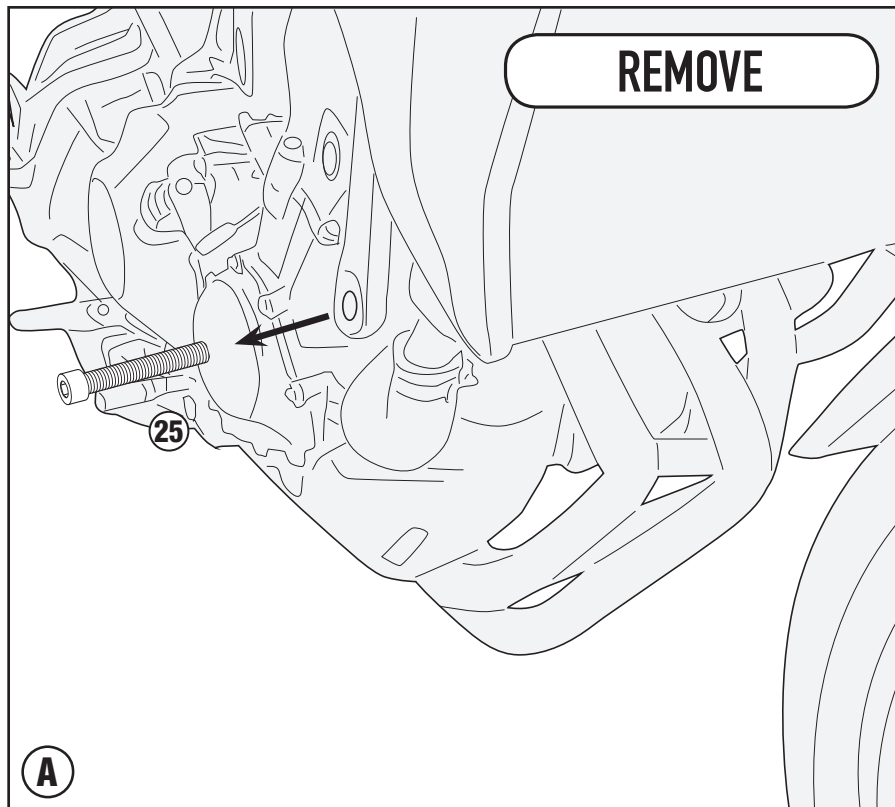
RP2122 - RP2122K

PARACOPPA - OIL CARTER PROTECTOR - SABOT MOTEUR - SPEZIFISCHER MOTORSCHUTZ - CUBRE CARTER - COBRE CARTER

YAMAHA TRACER 900 (2015/2017)



FRONT RIGHT SIDE



RP2122 - RP2122K

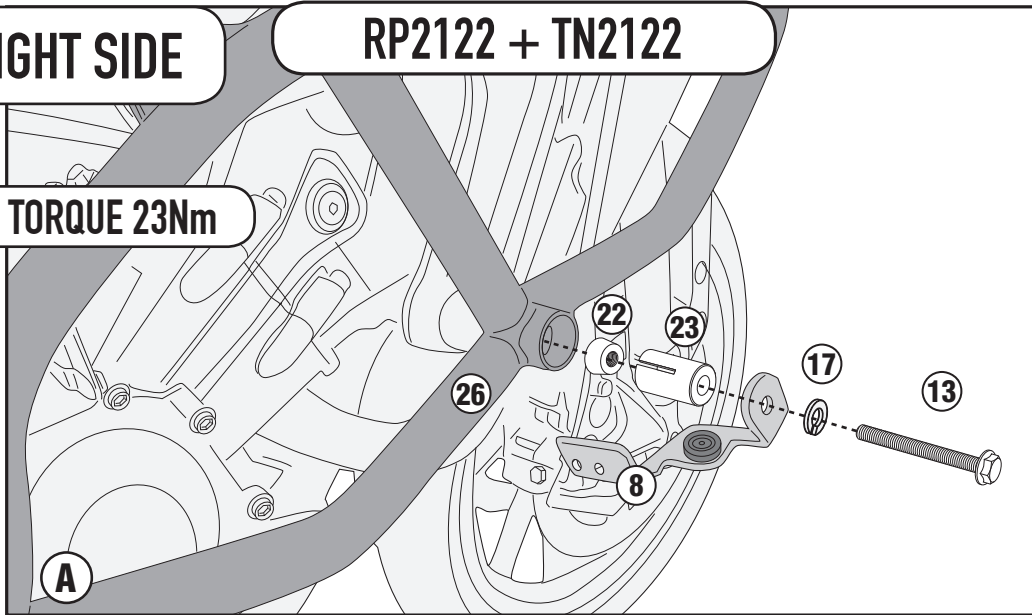
PARACOPPA - OIL CARTER PROTECTOR - SABOT MOTEUR - SPEZIFISCHER MOTORSCHUTZ - CUBRE CARTER - COBRE CARTER

YAMAHA TRACER 900 (2015/2017)

FRONT RIGHT SIDE

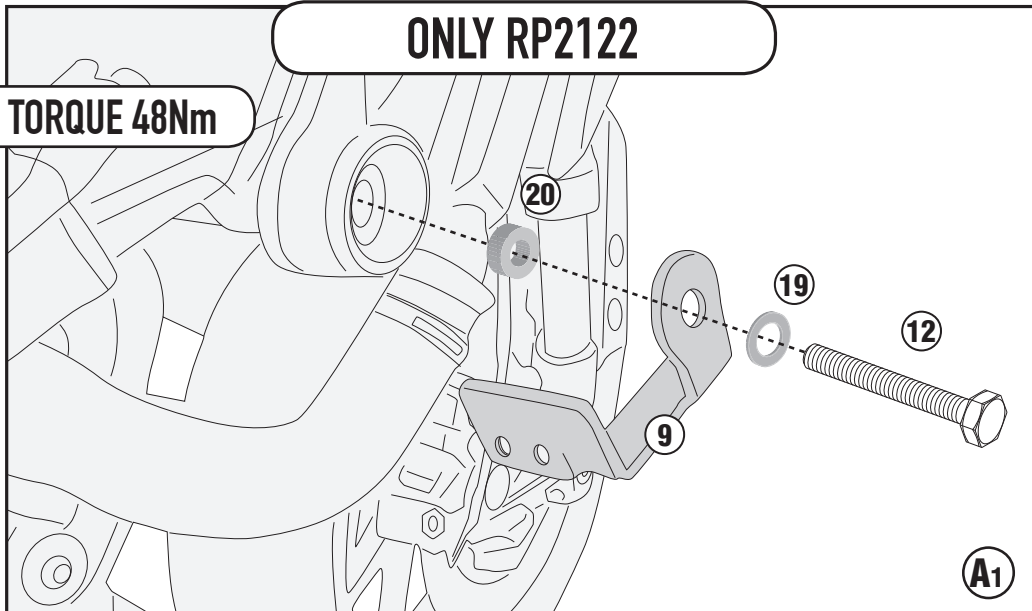
RP2122 + TN2122

TIGHTENING TORQUE 23Nm

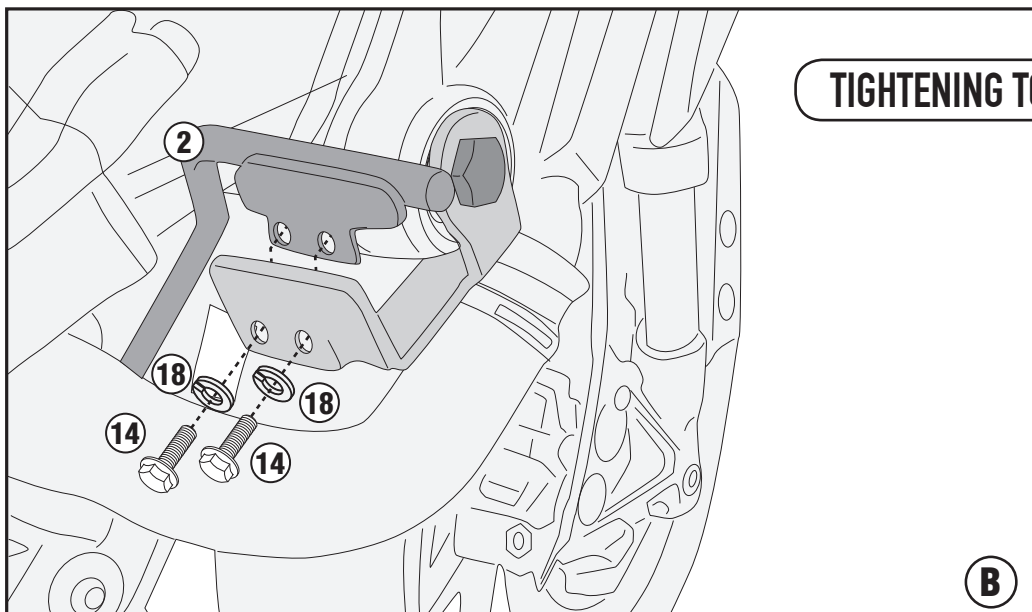


ONLY RP2122

TIGHTENING TORQUE 48Nm



TIGHTENING TORQUE 10Nm

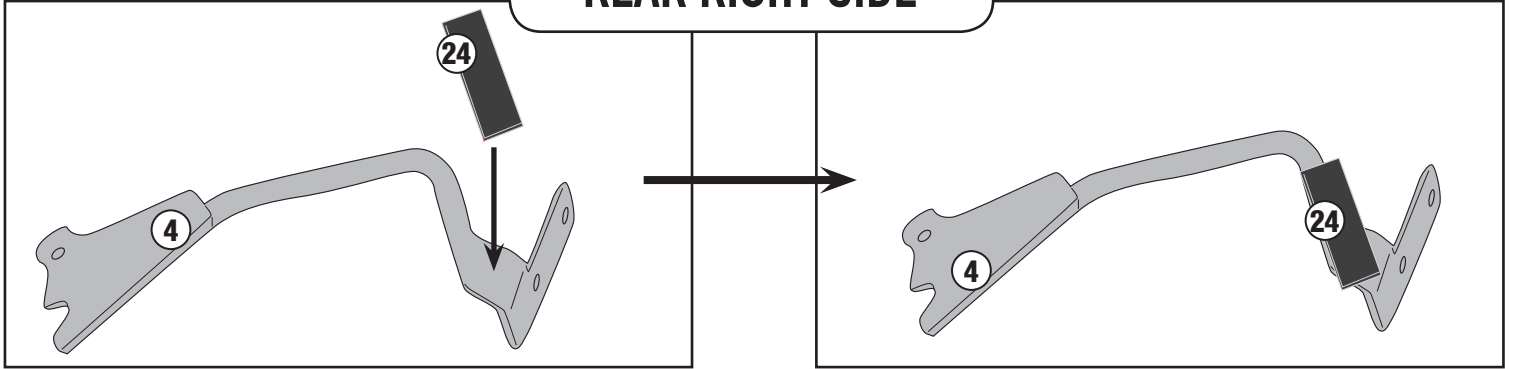


RP2122 - RP2122K

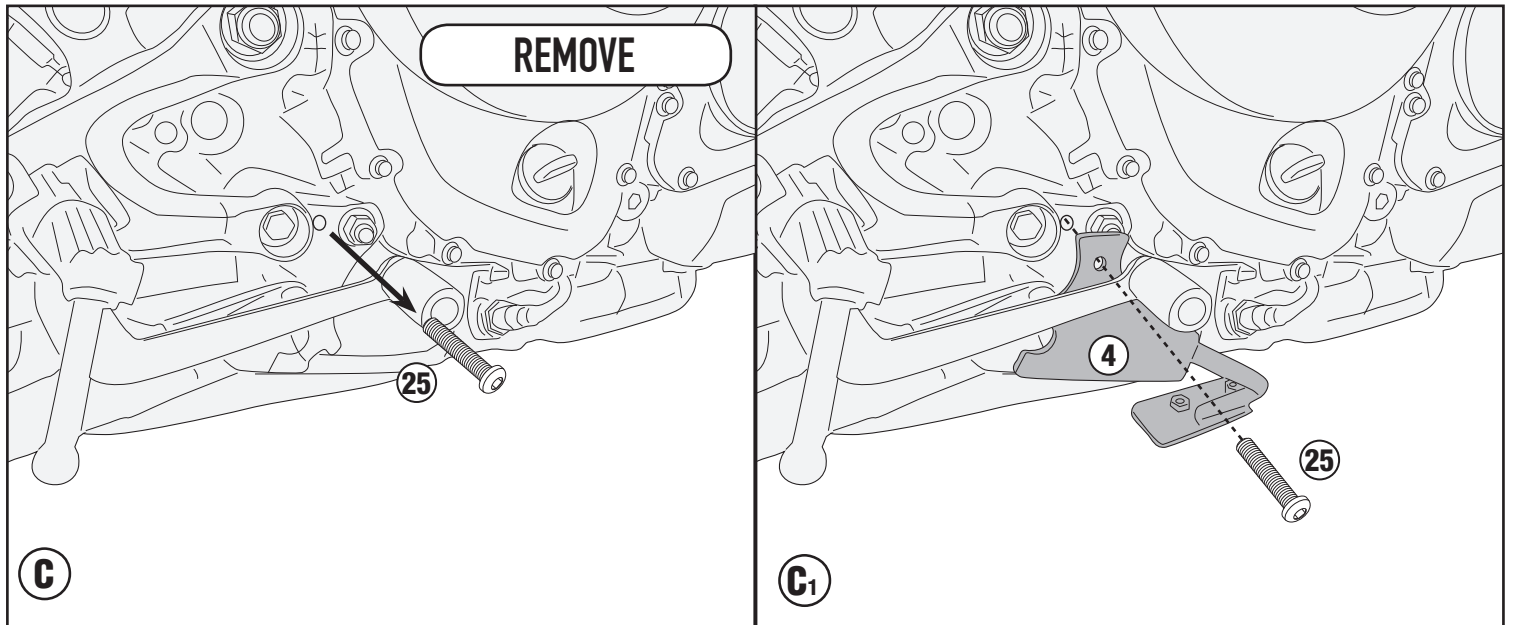
PARACOPPA - OIL CARTER PROTECTOR - SABOT MOTEUR - SPEZIFISCHER MOTORSCHUTZ - CUBRE CARTER - COBRE CARTER

YAMAHA TRACER 900 (2015/2017)

REAR RIGHT SIDE

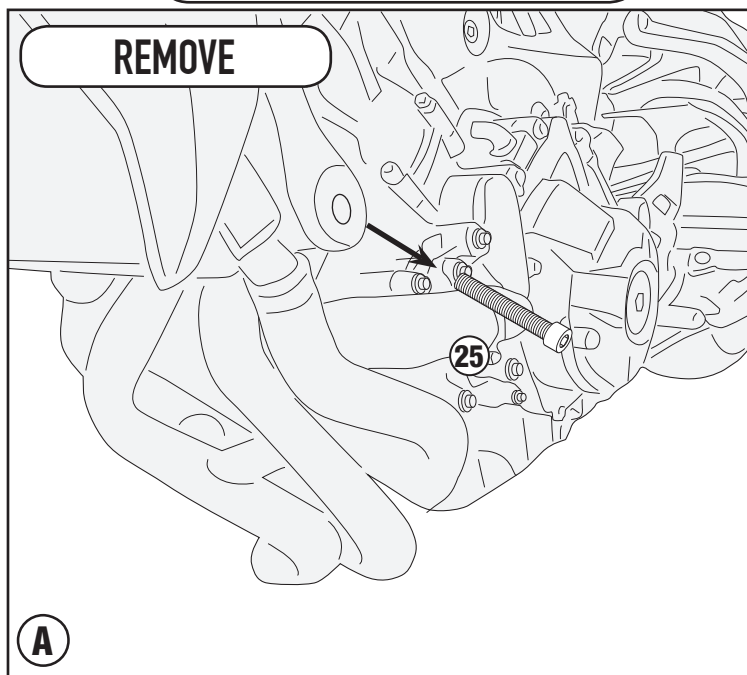


REMOVE



FRONT LEFT SIDE

REMOVE



RP2122 - RP2122K

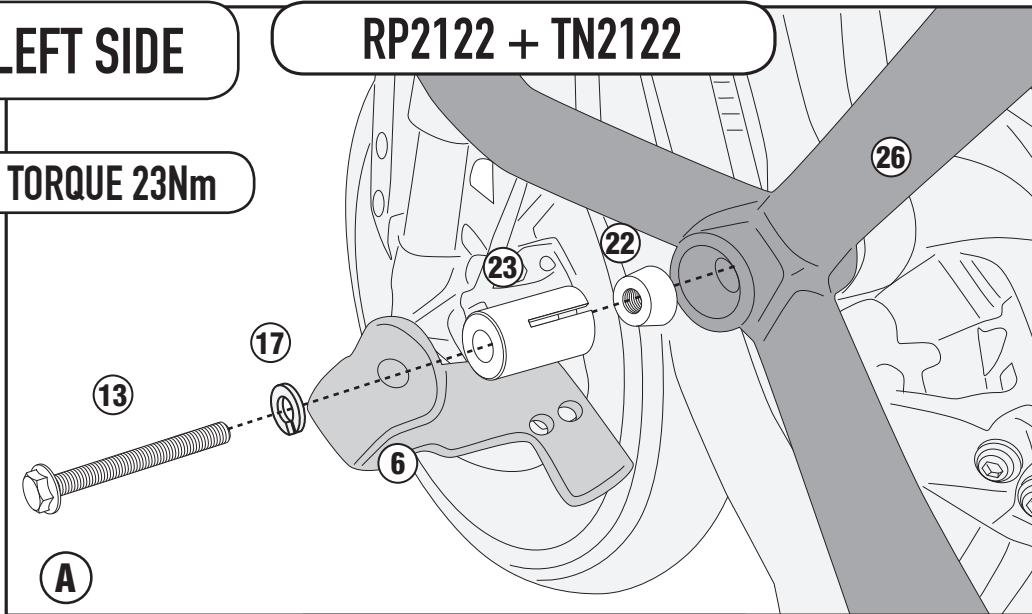
PARACOPPA - OIL CARTER PROTECTOR - SABOT MOTEUR - SPEZIFISCHER MOTORSCHUTZ - CUBRE CARTER - COBRE CARTER

YAMAHA TRACER 900 (2015/2017)

FRONT LEFT SIDE

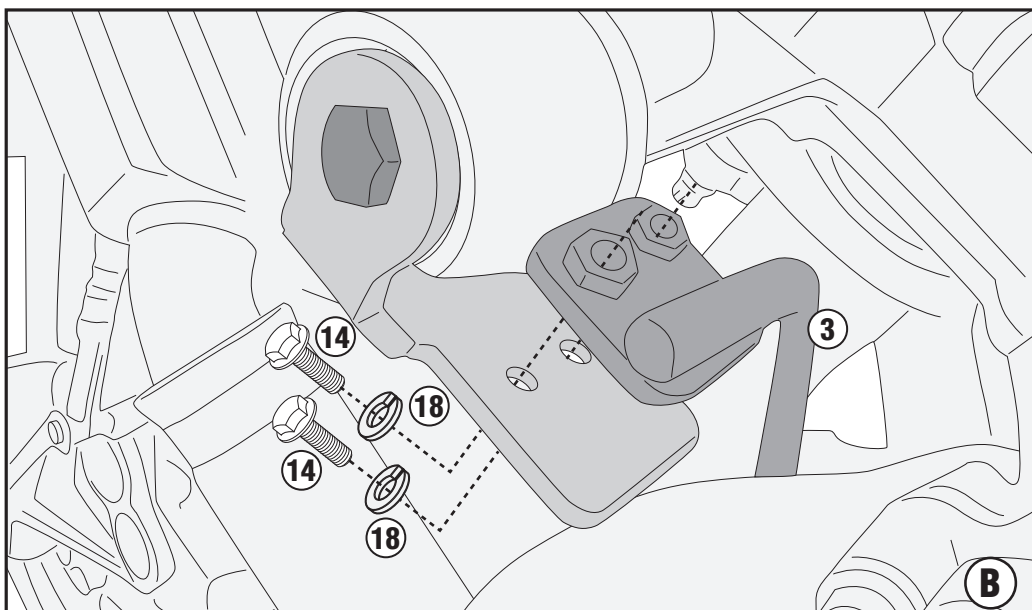
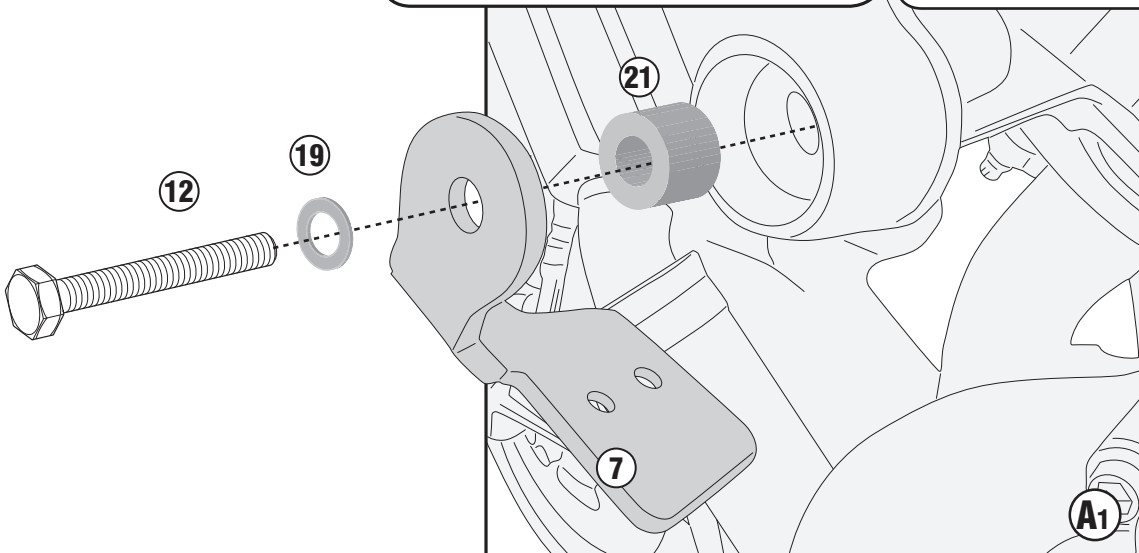
RP2122 + TN2122

TIGHTENING TORQUE 23Nm



ONLY RP2122

TIGHTENING TORQUE 48Nm

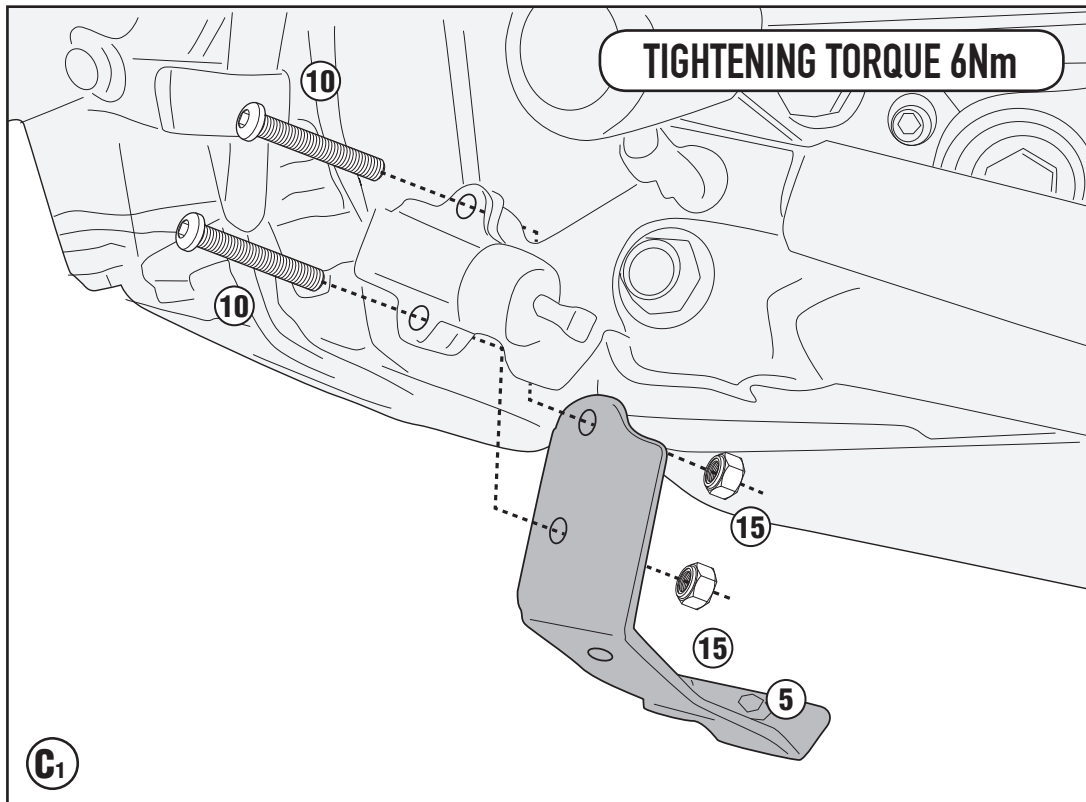
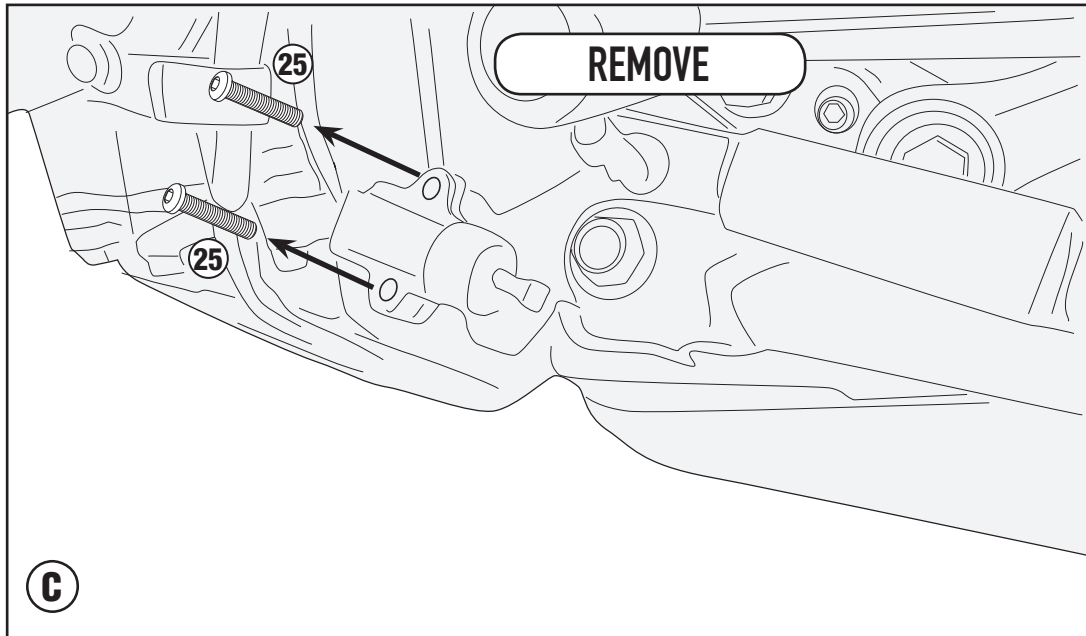


RP2122 - RP2122K

PARACOPPA - OIL CARTER PROTECTOR - SABOT MOTEUR - SPEZIFISCHER MOTORSCHUTZ - CUBRE CARTER - COBRE CARTER

YAMAHA TRACER 900 (2015/2017)

REAR LEFT SIDE



RP2122 - RP2122K

PARACOPPA - OIL CARTER PROTECTOR - SABOT MOTEUR - SPEZIFISCHER MOTORSCHUTZ - CUBRE CARTER - COBRE CARTER

YAMAHA TRACER 900 (2015/2017)

