



# POWERSPORTS BATTERY **Factory Activated Sealed Battery Series**

## CTX12 (FA) 12V 10AH(10HR)

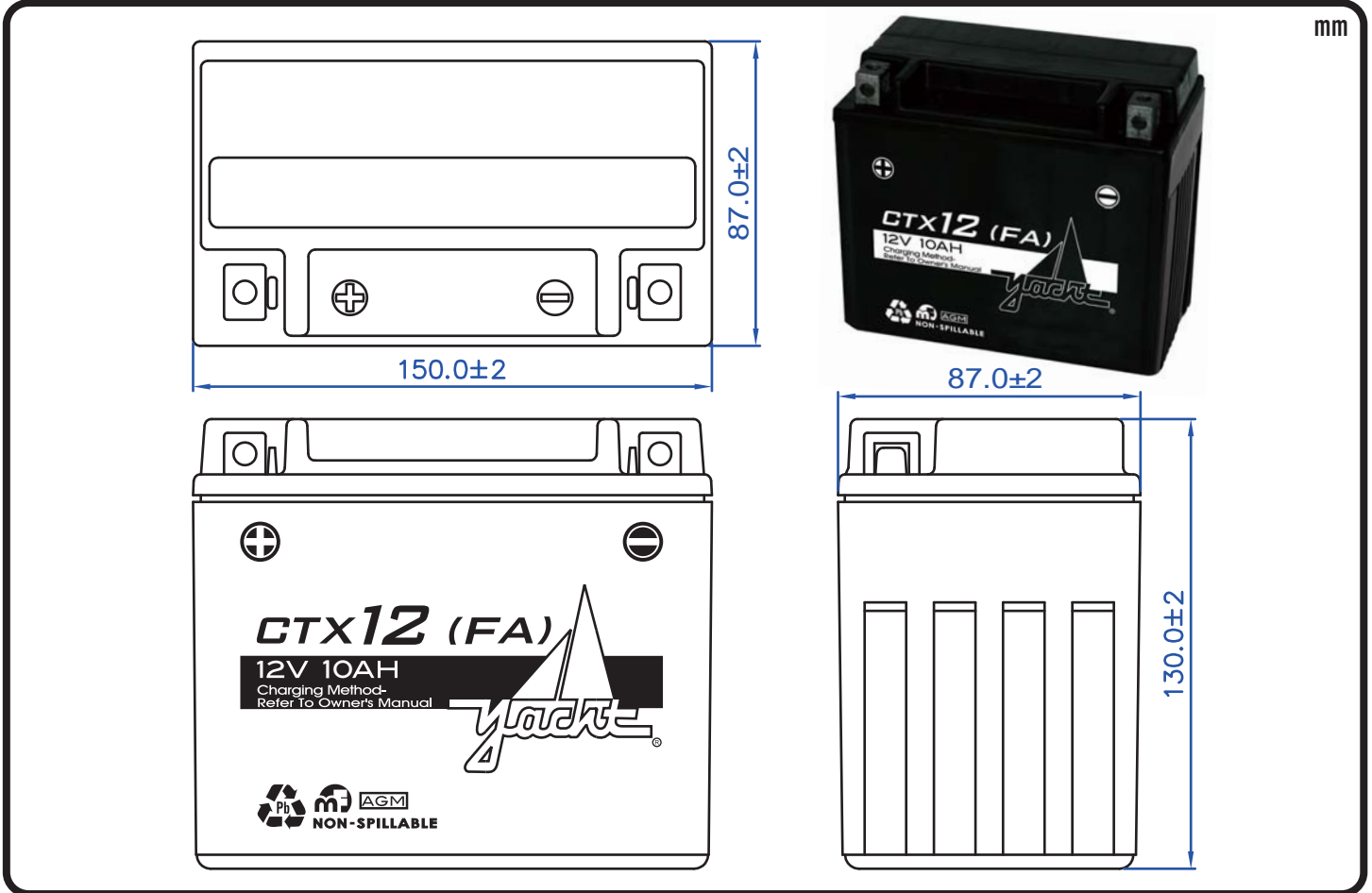


**JIS**  
D5302

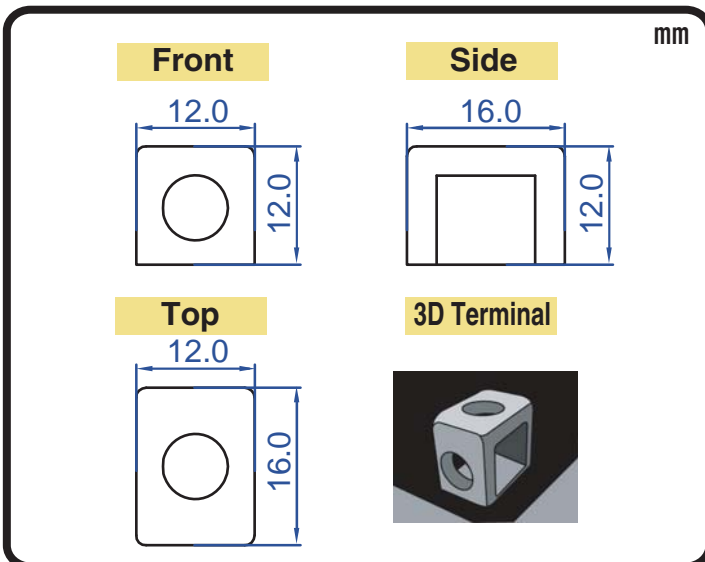
### Specification

BATTERY TYPE NUMBER	VOLTAGE (V)	CAPACITY AH (10HR)	CCA @-18°C	MAXIMUM DIMENSIONS						WEIGHT			
				MILLIMETERS (±2 mm)			INCHES (±1/16 in)			BATTERY WITH ACID		INCLUDE PACKAGE	
				L	W	H	L	W	H	Kg	Lbs	Kg	Lbs
CTX12 (FA)	12	10	175	150	87	130	5 7/8	3 7/16	5 1/8	4.12	9.07	4.36	9.60

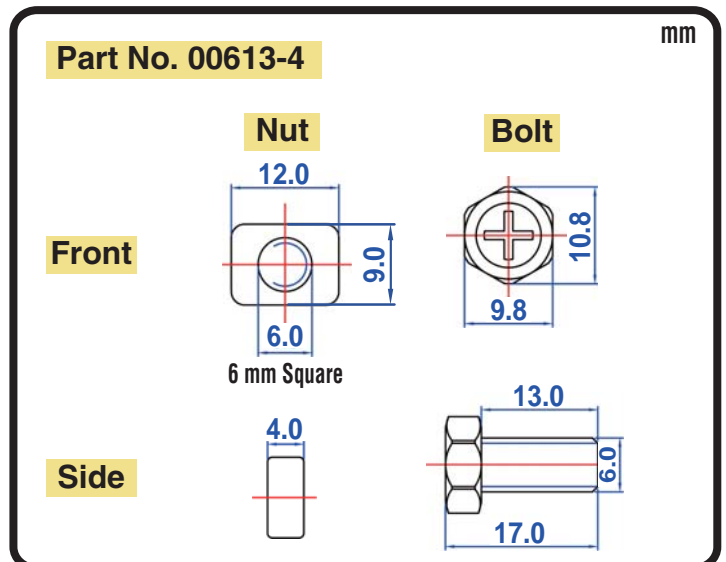
### Dimension



### Terminal Configuration



### Nut & Bolt Hardware Kits



**CORPORATE HEADQUARTERS (TAICHUNG, TAIWAN)**  
4F-5, No. 925, Sec. 4, Taiwan Blvd., Taichung, 40767 Taiwan, R.O.C.  
Tel : 886-4-2358-0578 Fax : 886-4-2358-0059  
sales@yacht-battery.com

**YACHT BATTERY USA, INC.**  
Tel : 1-610-689-0443 Fax : 1-888-373-6466  
Dave.Beidler@yacht-battery.com  
Bruce.Ash@yacht-battery.com