

# FB4120 – KFB4120

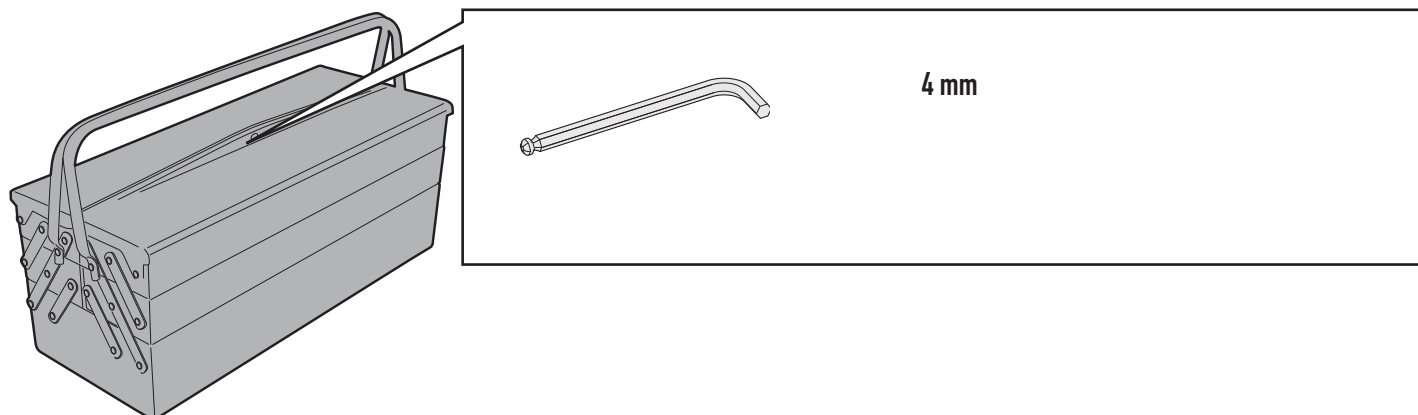
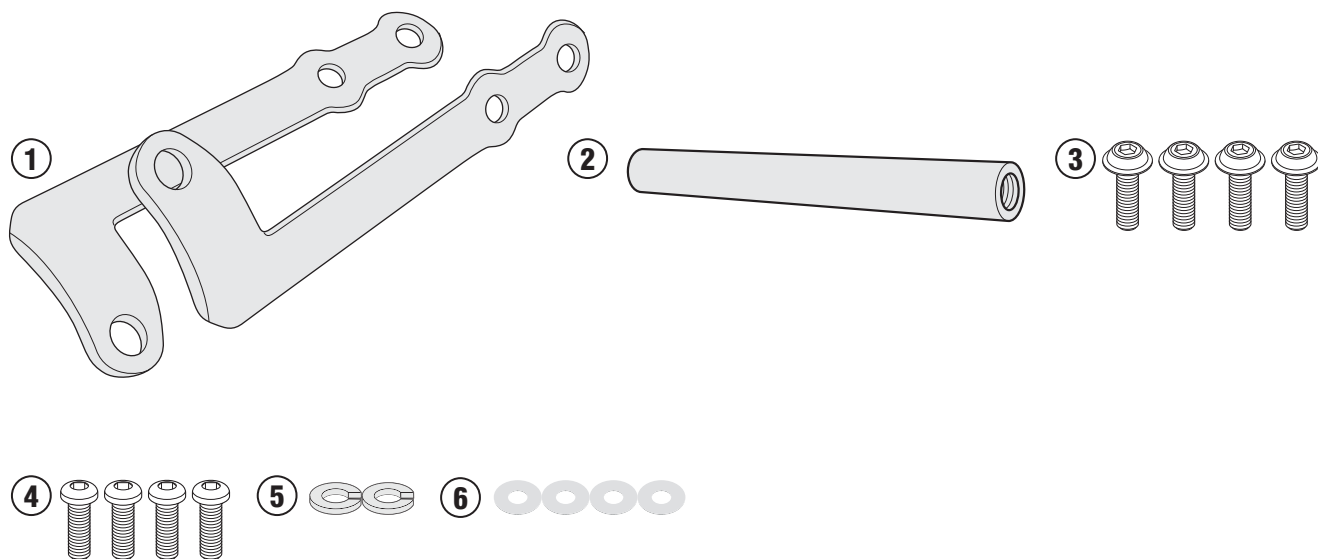
## TRAVERSINO – FAIRING UPPER BRACKET – SUPPORT GPS POUR CARENAGE – BARRA – HALTERUNG ZUR MONTAGE AM WINDSCHILD – SUPORTE

# KAWASAKI VERSYS 1000 (2017)

N°	Descrizione	Caratteristiche	Codice	Quantità
1	Supporto - Support - Support Halterung - Soporte - Apoio	-	GL3568DX GL3568SX	2 (Dx-Sx)
2	Traversino - Fairing Upper Bracket - Support Gps Pour Carenage - Barra - Halterung Zur Montage Am Windschild - Suporte	-	GNB1959	1
3	Vite - Screw Vis - Schraube Tornillo - Parafuso	TBEIFN M6x14	614TBEIFN	4
4	Vite - Screw Vis - Schraube Tornillo - Parafuso	TBEIFF M6x16	616TBEIFN	2
5	Rondella - Washer - Rondelle Scheibe - Arandela - Arruela	-	Z1063	2
6	Rondella - Washer - Rondelle Scheibe - Arandela - Arruela	-	Z1979	4
7	Componenti Originali - Original Parts Parties Originales - Original Bauteile Componentes Originales - Componentes Originais	-	-	-

# FB4120 - KFB4120

TRAVERSINO - FAIRING UPPER BRACKET - SUPPORT GPS POUR CARENAGE - BARRA -  
HALTERUNG ZUR MONTAGE AM WINDSCHILD - SUPORTE  
**KAWASAKI VERSYS 1000 (2017)**



**FB4120 - KFB4120**  
TRVERSINO - FAIRING UPPER BRACKET - SUPPORT GPS POUR CARENAGE - BARRA -  
HALTERUNG ZUR MONTAGE AM WINDSCHILD - SUPORTE  
**KAWASAKI VERSYS 1000 (2017)**

