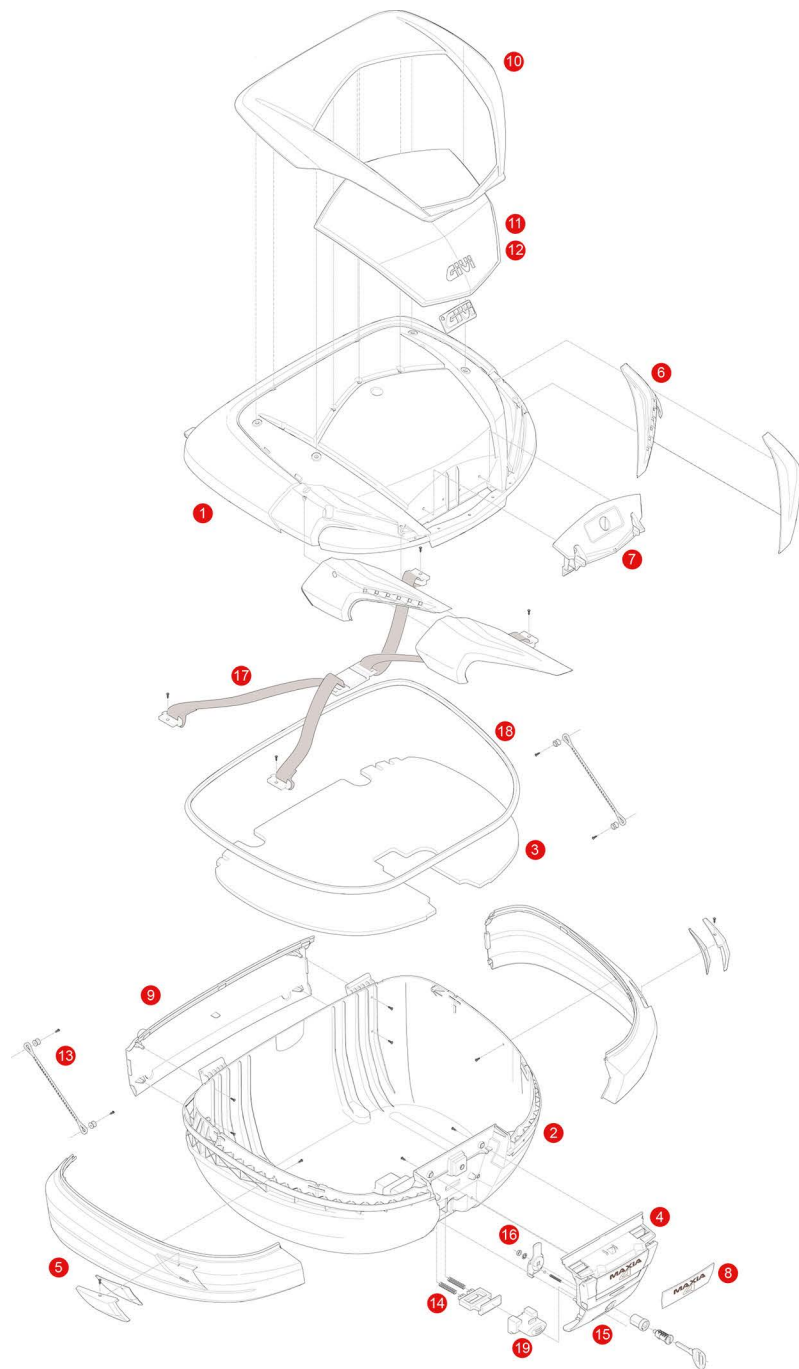


V56N / V56NN / V56NT / V56NNT MAXIA 4



1	ZV56CNM	V56N assembled Top Shell
	ZV56CNNM	V56NN assembled Top Shell
	ZV56CNTM	V56NT assembled Top Shell
	ZV56CNNTM	V56NNT assembled Top Shell
2	ZV56FNM	V56N-V56NN assembled Bottom Shell
	ZV56FNTM	V56NT-V56NNT assembled Bottom Shell
3	Z8900R	Inner mat
4	Z398NMV56R	V56 mounted hinge
5	Z564A900R	Side bands V56
6	Z560KITR	Top-shell red reflectors with chromed stop lamp holder (for V56N / V56NN)
	Z560KITF	Top-shell smoked reflectors with chromed stop lamp holder (for V56NT/ V56NNT)
	Z561KITR	Band red reflectors with chromed stop lamp holder (for V56N / V56NN)
	Z561KITF	Band smoked reflectors with chromed stop lamp holder (for V56NT/ V56NNT)
7	Z562R	Top-shell coupling tooth, complete

8	Z695A900V56R	Front plate V56
9	Z692R	Replacement rear band
10	CV47N	Black embossed cover
11	Z4706OXCR	Aluminium cover with anodizing cover/cap
12	Z4707R	Cover with carbon texture finishing (for V47NN / V47NNT / V56NN / V56NNT)
13	Z599	Nylon stop bag opening yarn
14	Z1782R	Bolt + Bolt Springs
15	SL101	Security lock set including cylinder, 2 keys, bush and under lock platelets
16	Z4514R	Plate below lock for Security Lock key
17	Z285NEWR	Elastic belt
18	Z1908R	Trim
19	Z206R	Button + Button Spring (for E55 MAXIA 3 / V56N / V56NN)
	Z206NR	Button + Button Spring (for TECH version)
	Z721R	Pin. D. 04x85 mm