

## USER INSTRUCTIONS AND SAFETY

Congratulations on your purchase of an N-Com product.

N-Com B902 was made using the most advanced technology and top-quality materials. Long-running tests and thorough system development have made it possible to achieve the highest audio quality.

For additional information on the B902, to download the instructions in PDF format and install the latest available Firmware version, please visit the website [www.n-com.it](http://www.n-com.it).

---

**Firmware version: 1.0**

---

### REFERENCE STANDARDS

The products of the N-Com line comply with standards as per the table below:

<b>B902</b>	The Bluetooth system complies with the main safety requirements and other applicable provisions of Directive RED 2014/53/EU, 2009/65/EC, 2012/19/EU WEEE
<b>Battery charger</b>	Directive 2014/35/EU LVD, 2014/30/EU EMC, 2009/125/CE ErP, 2011/65/EU RoHS
<b>Battery</b>	Directive 2001/95/CE – GPSD, 2013/56/UE - BAT, 1907/2006 – REACH, 2014/30/UE – EMC, 2011/65/EU - RoHS

The Declarations of Compliance can be downloaded from the website [www.n-com.it](http://www.n-com.it) (Download section).

Model: <b>B902 R</b> PMN: <b>N-Com B902 R</b>	FCC ID: <b>Y6MNCOM15</b>	IC: <b>9455A-NCOM15</b>	 <b>Bluetooth</b> <sup>®</sup>	 R-NZ	
--	-----------------------------	-------------------------	---	---	--

*The Bluetooth® word mark and logos are registered trademarks owned by Bluetooth SIG, Inc.; any use of such marks by N-Com is under license. Other trademarks and trade names are those of their respective owners.*

## Contents

<b>1.</b>	<b>WARNINGS AND SAFETY</b> .....	<b>3</b>
	1.1.Road safety.....	3
	1.2.Switching on the system in safe environments.....	3
	1.3.Interferences.....	3
	1.4.Appropriate use.....	4
	1.5.Qualified personnel.....	4
	1.6.Accessories and batteries.....	4
	1.7.Disposal.....	5
<b>2.</b>	<b>CONTENT OF THE PACKAGING</b> .....	<b>6</b>
<b>3.</b>	<b>INSTALLATION ON THE HELMET</b> .....	<b>7</b>
	3.1.Installing the B902 system on the helmet.....	8
	3.2.Adjusting the microphone.....	12
	3.3.Removing the B902 system from the helmet.....	12
<b>4.</b>	<b>BASIC FUNCTIONS</b> .....	<b>13</b>
	4.1.Volume adjustment.....	13
	4.2.Auto On / Off function.....	13
	4.3.Multi-language voice messages.....	14
	4.4.N-Com EASYSET.....	14
	4.5.Updating the firmware.....	14
<b>5.</b>	<b>PAIRING UP MENU</b> .....	<b>15</b>
<b>6.</b>	<b>CONFIGURATION MENU</b> .....	<b>15</b>
<b>7.</b>	<b>MOBILE PHONE / MP3 PLAYER PAIR UP</b> .....	<b>16</b>
<b>8.</b>	<b>SECOND MOBILE PHONE PAIR UP</b> .....	<b>16</b>
<b>9.</b>	<b>MOBILE PHONE</b> .....	<b>17</b>
	9.1.Speed dial.....	17
	9.2.Conference call function.....	18
	9.3.Smart Navi System.....	18
<b>10.</b>	<b>MUSIC VIA BLUETOOTH</b> .....	<b>19</b>
	10.1.Sharing music via Bluetooth (A2DP Sharing).....	19
<b>11.</b>	<b>MUSIC VIA CABLE</b> .....	<b>19</b>
<b>12.</b>	<b>NAVIGATOR PAIR UP</b> .....	<b>20</b>
<b>13.</b>	<b>FM RADIO</b> .....	<b>20</b>
<b>14.</b>	<b>AUDIO MULTITASKING</b> .....	<b>21</b>
	14.1.Enabling / disabling the Audio Multitasking function.....	21
	14.2.Adjusting the volumes.....	21
<b>15.</b>	<b>INTERCOM</b> .....	<b>22</b>
	15.1.N-Com "600"/"900" Series Intercom pairing up.....	22
	15.2.Pairing up other N-Com.....	22
	15.3.Intercom function (one-to-one connection).....	23
	15.4. <i>Smart Conference</i> (Group Intercom).....	24
<b>16.</b>	<b>"UNIVERSAL INTERCOM" INTERCOM</b> .....	<b>25</b>
	16.1.Pairing up the UNIVERSAL INTERCOM.....	25
	16.2.Universal Intercom Function.....	25
	16.3. <i>Universal Conference</i> (chain intercom).....	26
<b>17.</b>	<b>REMOTE CONTROL</b> .....	<b>27</b>
<b>18.</b>	<b>BATTERY AND RECHARGE</b> .....	<b>28</b>
	18.1.Low battery signal.....	28
	18.2.Checking the Battery Level.....	28
	18.3.Charging the system.....	28
<b>19.</b>	<b>SUMMARY TABLE OF CONTROLS</b> .....	<b>29</b>
<b>20.</b>	<b>WARRANTY</b> .....	<b>30</b>
	20.1.Warranty coverage and validity.....	30
	20.2.Exclusions and limitations of coverage.....	30
	20.3.Procedure for submitting claims.....	30
	20.4.Product identification.....	31
	20.5.Validity of N-Com warranty.....	32

## 1. WARNINGS AND SAFETY

Read this User Manual carefully, as well as the simple rules listed below. Failure to comply with these rules may lead to dangerous situations.

**Caution:** The product cannot be used in official or non-official competitions, motordromes, circuits, racing tracks and the like.

**Caution:** Installation of the N-Com B902 system results in a weight increase of approximately 110 g, which is added to the weight of the helmet and of the other accessories.

**Warning:** The electronic components of the N-Com system mounted inside the helmet are not waterproof. Consequently, make sure the inside of the helmet, including the comfort padding, does not get wet in order to avoid damage to the system. If water seeps into the helmet, remove the comfort padding from the helmet and allow to air dry.

### 1.1. Road safety

Always obey all Traffic Regulations in force. While riding your motorcycle, your hands should always be engaged in actually riding the vehicle. Any operation to the N-Com system must be carried out with the motorcycle stopped.

Specifically:

- Set your cell phone on automatic answer (see the cell phone instructions to do this).
- If your cell phone is not equipped with this function, first stop your vehicle in a safe area, in compliance with Traffic Regulations and then answer the call.
- Do not make any calls while riding. Stop your vehicle in a safe place in compliance with Traffic Regulations and then make the call.
- Adjust the volume so that it does not cause a disturbance or distraction while riding and at the same time allows you to distinctively hear background noises.
- Do not operate your cell phone or other devices connected to the N-Com system while riding your motorcycle.
- In all cases, obey the Traffic Regulations and remember that riding the motorcycle has absolute priority over any other manoeuvre.

### 1.2. Switching on the system in safe environments

- When using the N-Com system, comply with all limitations and instructions related to the use of cell phones.
- Do not turn on your cell phone or the N-Com system whenever their use is forbidden or when these devices can cause interference or dangerous situations.
- Turn off while refuelling. Do not use the N-Com system at filling stations. Do not use the device near combustible materials or chemical products.
- Turn off when near explosive materials.

### 1.3. Interferences

All phones and devices with wireless signal transmission are subject to interferences that may affect the performance of the device connected to them. These interferences are not ascribable to a defect of the N-Com system.

## 1.4. Appropriate use

Use the device only in the normal position, as described in the product documentation. Do not attempt to disassemble, tamper with, or modify any part of the N-Com system.

**Caution:** Adjust the volume of the N-Com system and of the audio sources connected to it before you use the system on the road.

**Caution:** Adjusting the volume to exceedingly high levels may cause damage to your hearing.

**Caution:** Incorrect installation of the system in the helmet may alter the aerodynamic and safety characteristics of the helmet itself, thus creating dangerous conditions. Install the N-Com system according to the instructions provided in the product documentation. In case of doubt, please contact your local N-Com dealer.

**Warning:** Listening to other equipment should not interfere with riding your motorcycle, which must be the top priority at all times. Carry out all operations on the electronic equipment and on the N-Com system with the vehicle stopped, in compliance with Traffic Regulations.

**Caution:** The N-Com system allows reception of the FM radio signal. Any radio licence fees are charged to the user.

## 1.5. Qualified personnel

- Only qualified personnel can carry out technical assistance on this product. In case of any malfunction, always turn to your local dealer.
- The helmet is a safety device. Tampering with it and/or with the electronic system inside the helmet can result in dangerous situations, in addition to invalidating the product warranty.

## 1.6. Accessories and batteries

- Only use the type of batteries, battery chargers and accessories approved by Nolangroup for the specific model.
- Using a battery type different from the recommended one may lead to dangerous situations and invalidate the warranty.
- Contact your local dealer to see about the availability of approved accessories.
- When disconnecting the power supply cable of any accessory or of the battery charger, always grab and pull the plug, not the cable.
- Do not use batteries for purposes other than the prescribed ones.
- Never use batteries or battery chargers that turn out to be damaged.
- Do not short-circuit the battery.
- Keep the battery at a temperature between 0° / +45°C (charging): -10° / +55°C (in use).
- Danger of fire or explosion: do not throw the batteries into a fire or expose them to high temperatures!
- Do not throw out batteries together with household refuse. The batteries should be disposed of in compliance with local regulations
- Do not wear the helmet while the battery is recharging.
- The helmet should never be left within the reach of unsupervised children in order to prevent damage to their health caused by access to the batteries.

<b>Battery</b>	603443	LiPo 3.7V – 1000 mAh
<b>Battery charger</b>	W&T-AD1812A050150EU	230V 50Hz 0.35 A – 5V 1.5 A
	W&T-AD1812A050200KU	230V 50Hz 0.35 A – 5V 2A

## 1.7. Disposal

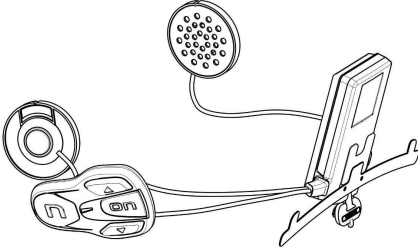
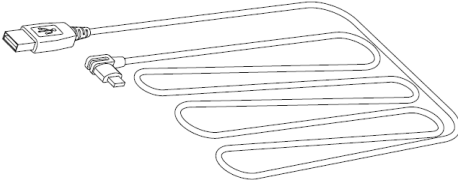

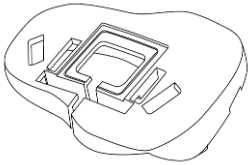
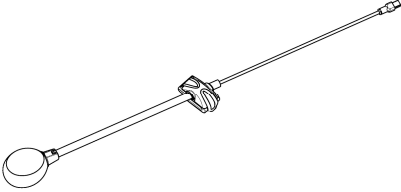
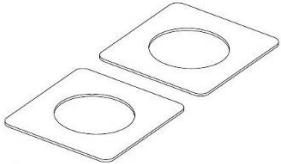


Refer to this user manual and to manuals related to other parts of the N-Com system in order to disassemble the system from the helmet. Once the system has been disassembled, dispose of it according to the following instructions:



- The presence of a crossed-out wheellie bin indicates that in the European Union the product is subject to separate collection at the end of its useful life.
  - Do not dispose of these products together with undifferentiated urban waste.
- The proper disposal of obsolete equipment contributes to preventing possible negative consequences on people's health and on the environment.
- Within the European Union, the dealer, when supplying the new equipment, ensures that the used equipment will be collected free of charge, provided it is equivalent to a ratio of one to one.
- For more detailed information on the disposal of obsolete equipment, contact your municipality, a waste disposal service, or the store where the product was purchased.

## 2. CONTENT OF THE PACKAGING

The N-Com B902 package contains:

 <p>N-Com B902 system</p>		
 <p>Mini USB wire</p>	 <p>Battery charger</p>	
 <p>Keypad adapters for N87, N100-5</p>	 <p>Microphone with clip</p>	
 <p>Adhesive strips for loudspeakers</p>	 <p>Key</p>	 <p>Microphone foam</p>

### 3. INSTALLATION ON THE HELMET

**Important:** Prior to installing the N-Com system, it is recommended to write down the identification code affixed to the product (see chapter 20.4).

The installation video can be seen at [www.n-com.it](http://www.n-com.it) / Support section.

- Before you install the B902 system on the helmet, make sure it turns on properly. Press the “ON” key for about 2 seconds, until the blue LED on the key pad lights up and you hear a beep in the headset. Proceed with the installation.
- Remove the cheek padding (see helmet instructions).
- Remove the helmet edge gasket using the special tool (Fig. 1).
- Completely remove the gasket as shown in Fig. 1; by doing so you also remove the padding.
- Remove the “N-Com” plugs found at the back of the shell gasket and on the left side of the helmet.

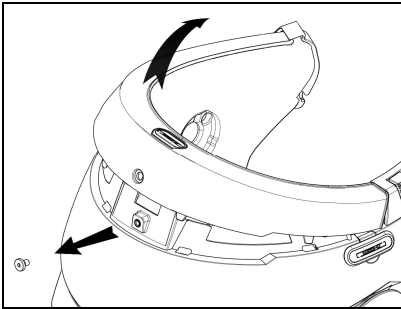


Fig. 1

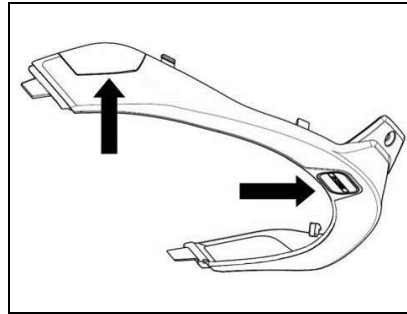
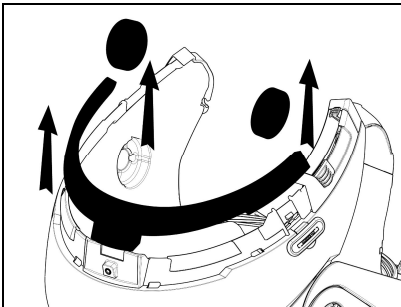
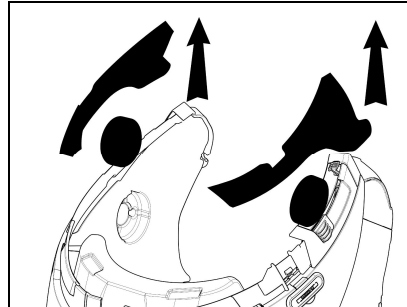


Fig. 1 – ONLY FOR N87 – N100-5 HELMET

- Prior to installing the N-Com system, remove any filling foam material, if present, from the helmet (refer to the user manual for your specific helmet).



Option 1



Option 2

**N.B.:** Keep the filling material in case you wish to use the helmet without the N-Com system in the future.

### 3.1. Installing the B902 system on the helmet

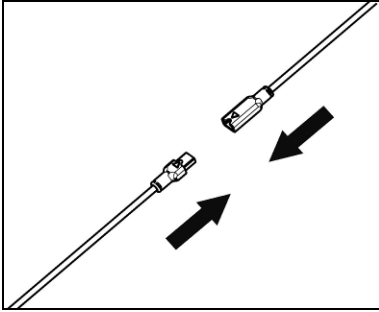


Fig. 2

- Hook up the microphone connector to the other end, following the directions of the arrows (Fig. 2).

**N.B.:** You can adjust the position of the microphone. For instructions on how to do this, please see chapter. 3.2.

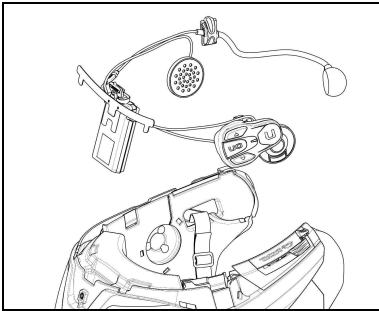


Fig. 3

- Place the system in the special housing in the back of the helmet, pushing it all the way into the groove (Fig. 3).
- Fold the antenna back inside the shell.

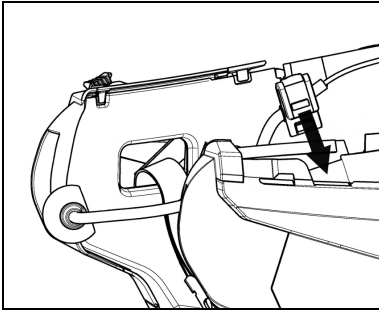


Fig. 4

**N.B.:** For positioning of the wiring and of the microphone in the N100-5 helmet, follow the instructions provided in the dedicated box.

- Fix the cable inside the helmet and make sure the right fixing clip snaps into its housing (Fig. 4).

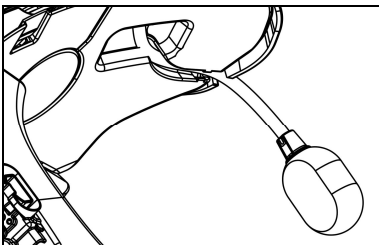


Fig. 5

- Position the microphone in the housing on the right of the helmet, inserting the metal boom in the groove found in the chin guard coupling frame (Fig. 5).

**Caution:** make sure that the side of the microphone support with the writing “n” is facing inward.



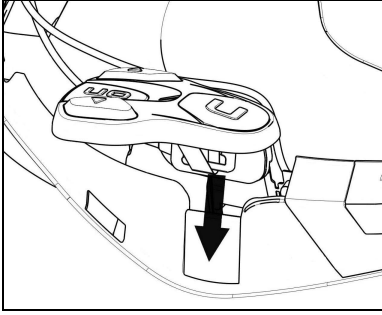


Fig. 6

**N.B.:** For positioning of the keypad in helmets N87 and N100-5, follow the instructions provided in the dedicated box.

- Fix the cable inside the helmet and make sure the left fixing clip snaps into its housing.
- Hook up the keypad to the helmet by clicking in the relevant hooks.
- Open the rubber cap of the B902 system.
- Reassemble the gasket and secure it with the specific screw.

### ONLY FOR HELMET N100-5 – positioning of wiring and microphone

#### Positioning the right side wiring and the microphone:

- Lift up the plastic lining of the cheek padding (Fig. 7).
- Insert the microphone into the eyelet (Fig. 8) and position it in the special housing, then inserting the metal boom in the groove found in the chin guard coupling frame (Fig. 9).
- Caution:** make sure that the side of the microphone support with the writing "N-Com" is facing inward.
- Fix the cable inside the helmet and make sure the right fixing clip snaps into its housing (Fig. 10).
- Reposition the plastic lining of the cheek padding, arranging it behind the two small stop hooks (Fig. 11).

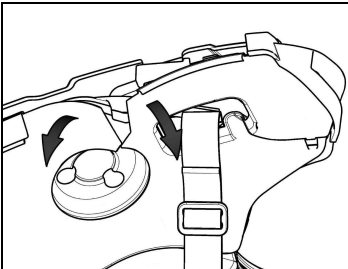


Fig. 7

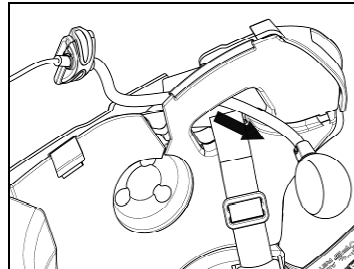


Fig. 8

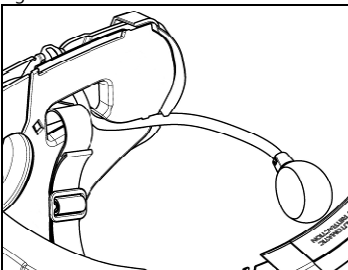


Fig. 9

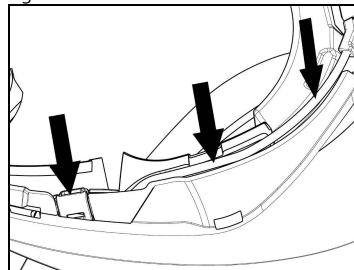


Fig. 10

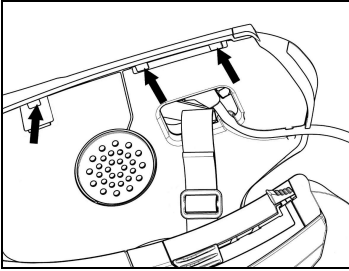


Fig. 11

### ONLY FOR HELMET N100-5 – positioning of wiring and microphone

#### Positioning the left side wiring:

- Lift up the plastic lining of the cheek padding (Fig. 12).
- Fix the cable inside the helmet and make sure the left fixing clip snaps into its housing (Fig. 13).
- Reposition the plastic lining of the cheek padding, arranging it behind the two small stop hooks (Fig. 14).

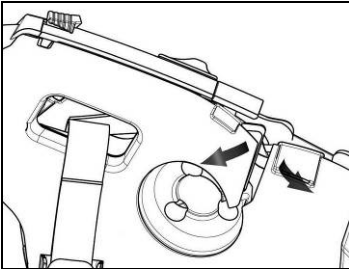


Fig. 12

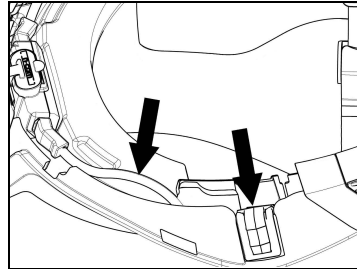


Fig. 13

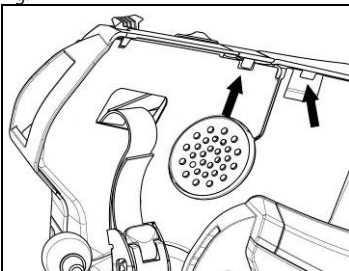


Fig. 14

**FOR N87 – N100-5 HELMENTS ONLY – positioning the keypad**

**Important:** Installation of the keypad on the N87, N100-5 helmets requires the use of the “KEYPAD ADAPTER” accessory, which is included in the package.

- Insert the support specific for your helmet in the flex cable of the keypad (Fig. 15).
- Rotate the keypad support so as to position it like in Fig. 16, then hook it to the keypad.
- Fix the cable inside the helmet and make sure the left fixing clip snaps into its housing (Fig. 17).
- Open the rubber cap of the B902 system.
- Reassemble the gasket and secure it with the specific screw.
- Hook up the keypad to the helmet by clicking in the relevant hooks (Fig. 18).
- The proper positioning of the keypad is illustrated in Fig. 19 and in Fig. 20.

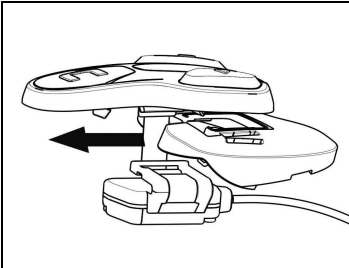


Fig. 15

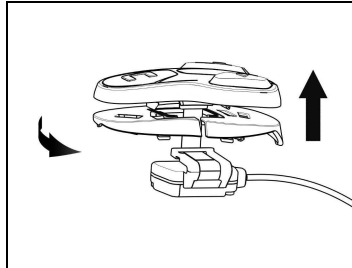


Fig. 16

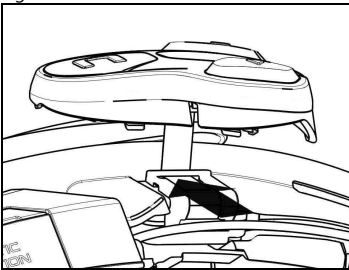


Fig. 17

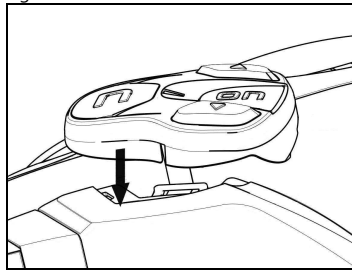


Fig. 18

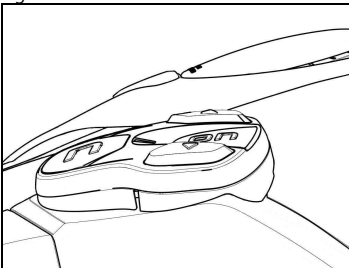


Fig. 19

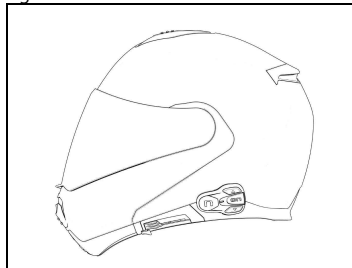


Fig. 20

- Position the left and right speakers in the respective housing obtained in the polystyrene cheek padding. If necessary, rotate the speakers slightly in their housing. If necessary, secure them using the adhesive strips supplied as standard equipment.
- Reassemble the cheek padding.

### 3.2. Adjusting the microphone

The B902 system makes it possible to adjust the position of the microphone in order to facilitate its positioning in the different helmet models.

Proceed as follows:

- Open the clip positioned on the microphone boom, operating as indicated in Fig. 21.
- Adjust the microphone (Fig. 22).
- Close the clip (Fig. 23).

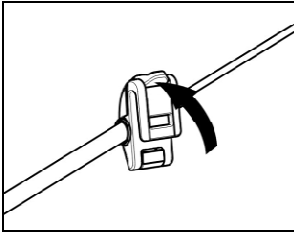


Fig. 21

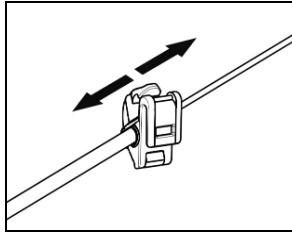


Fig. 22

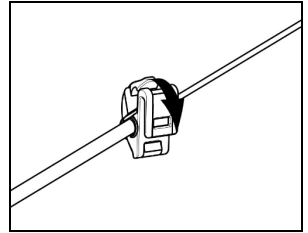


Fig. 23

To ensure good voice transmission quality, it is recommended to position the microphone sponge at the side of your mouth.

### 3.3. Removing the B902 system from the helmet

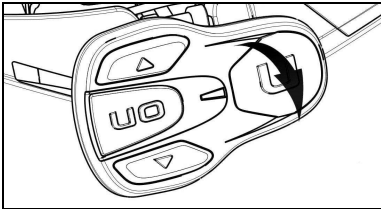


Fig. 24

- Remove the cheek padding and the shell gasket.
- Remove the keypad from the shell, as shown in Fig. 24.

#### FOR N87 – N100-5 HELMETS ONLY – removing the keypad

- Remove the keypad from the shell, as indicated in Fig. 25.
- Rotate the keypad in a counterclockwise direction (Fig. 26).
- Remove the cheek padding and the shell gasket.

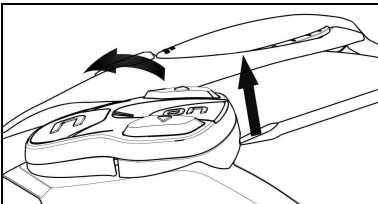


Fig. 25

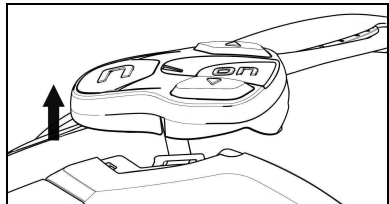


Fig. 26

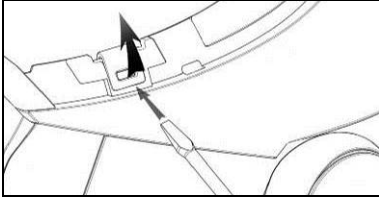


Fig. 27

- Unhook the right and left clips from the shell, levering upward using a flat head screw driver (or a similar tool), as shown in figure 27.

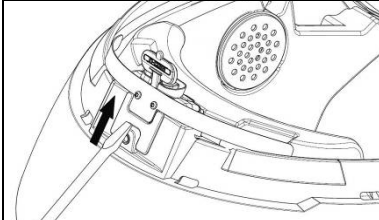


Fig. 28

- Completely remove the B902 system from helmet using a flat head screwdriver (or similar tool) and re-install the cheek padding and the edge gasket.

## 4. BASIC FUNCTIONS

**Note:** Before using the N-Com device for the first time, recharge the battery completely for at least 10 hours. To obtain best performances from the battery, it is recommended to completely recharge the battery the first few times. Afterwards, you can recharge the battery for shorter periods. Whenever possible, it is best to recharge the battery completely.

<b>System ON</b>	Press <b>"ON"</b> and keep it pressed for about 2 seconds, until the LEDs turn on and you hear the voice announcement.
<b>System OFF</b>	Press <b>"ON"</b> and keep it pressed for about 6 seconds, until the LEDs turn off and you hear the voice announcement.

### 4.1. Volume adjustment

You can easily adjust the volume by tapping the "▲" or the "▼" key. You will hear a beep when the volume reaches the maximum or minimum level.

Some volume parameters can be adjusted through the N-Com EASYSET APP for smartphone or the N-Com EASYSET computer program (chapter 4.4).

**N.B.:** The volume level set during the trip is not stored when the system is turned off. Each time the N-Com system is switched on, the audio goes back to the set default volume level.

### 4.2. Auto On / Off function

If the helmet does not move for more than 60 seconds, the B902 system goes into "deep sleep" mode. The system is completely turned on as soon as movement is detected.

If the system is in "deep sleep" mode for more than 3 days, it turns off completely. To turn it back on, the "ON" key needs to be pressed.

The "Auto On / Off" function is enabled by default on the device.

You can enable / disable the function from the Configuration Menu (Chapter 6).

### 4.3. Multi-language voice messages

The N-Com system features voice messages that provide information on the system and on the active functions.

The language set by default is English. The language of the voice messages may be changed through the specific firmware installable with the N-Com EASYSET program. Please refer to the online HELP for instructions on how to change the language settings.

Available languages: Italian, English, French, German, Spanish, Dutch.



The default function is enabled on the device.

You can enable / disable the "VOICE ANNOUNCEMENTS" function by using the N-Com EASYSET program or the N-Com EASYSET APP.

### 4.4. N-Com EASYSET



"N-Com EASYSET" is the application that can be used to manage and configure the B902 system. The program can be downloaded from the Internet site [www.n-com.it](http://www.n-com.it), in the "Support/Download" section. The functions that can also be managed from the N-Com EASYSET are listed here below with the specific icon.



The N-Com system can be managed from the dedicated App "N-Com EASYSET", which makes it possible to configure the N-Com system directly from your Smartphone.

The N-Com APP can be downloaded free of charge from Google Play or Apple Store.

For additional details, please visit the website [www.n-com.it](http://www.n-com.it)

The functions that can also be managed from the N-Com EASYSET App are listed here below with the specific icon.

### 4.5. Updating the firmware

The firmware updates of the N-Com system can be carried out through the N-Com EASYSET computer program.

- Download the N-Com EASYSET program from the N-Com website – in the "Support"/"Download"/"Software" section.
- Hook up the N-Com system to the computer and open the N-Com EASYSET program.
- Follow the directions until the program recognises the N-Com system.
- From the screen "FIRMWARE UPDATE", select the desired language from the drop-down menu.
- Click on "DOWNLOAD" and save the file in the computer.
- Click on "UPDATE" and wait for the firmware update to end.

The release notes of the last Firmware version can be found on the website [www.n-com.it](http://www.n-com.it) – in the "Support"/"Download"/"Software" section.

## 5. PAIRING UP MENU

All the Bluetooth pairing up operations are carried out in this mode.

In order to access the Pairing up Menu starting with the N-Com system switched off, press the "ON" key and keep it pressed for 4 seconds.

Once in the "Pairing up" menu, press the keys "▲" and "▼" to scroll through the various menu items. In the items marked with an "\*\*", it is possible to enable / disable the function by pressing the "ON" key to confirm.

The following items make up the "Pairing up" menu:

- A. **Mobile phone pairing** (chapter 7)
- B. **Intercom pairing** (chapter 15)
- C. **Pairing up Other N-Com Systems** (chapter 15.2)
- D. **Universal Intercom pairing** (chapter 16)
- E. **Second mobile phone pairing** (chapter 8)
- F. **GPS pairing up** (chapter 12)
- G. **Remote control pairing** (chapter 17)
- H. **Delete all pairings\***

In order to delete all Bluetooth pair ups stored in the device, press the key "▲" or "▼" until you hear the voice announcement "*Delete all pairings*".

Press the "ON" confirmation key to delete all Bluetooth devices stored in memory.

- I. **Exiting the configuration\***

To exit the "Pairing up" menu, press the key "▲" or "▼" until you hear the voice announcement "*Exit the configuration*". Press the "ON" confirmation key to exit the "Pairing up" menu.

If no key is pressed within 15 seconds, the device automatically exits the "Pairing up" menu.

## 6. CONFIGURATION MENU

All the settings of the N-Com system are carried out in this mode.

To access the Configuration Menu starting with the N-Com switched on, press the keys "▲" and "▼" for 4 seconds.

Once in the "Configuration" menu, press the keys "▲" and "▼" to scroll through the various menu items.

In the items marked with an "\*\*", it is possible to enable / disable the function by pressing the "ON" key to confirm.

The following items make up the "Configuration" menu:

- A. **Speed dial\*** (chapter 9.1)
- B. **Smart Navi System** (chapter 9.3)
- C. **Auto On / Off** (chapter 4.2)
- D. **Audio Multitasking** (cap. 14)
- E. **Audio boost \***

By enabling the "Audio boost" (Audio Boost), all the audio sources inside the device will be reproduced at a higher and potentially less clear volume.

Press the "ON" confirmation key to enable / disable the function, which is not enabled by default on the device.

- F. **Reset\***

In order to restore the factory settings of the device, press the key "▲" or "▼" until you hear the voice message "*Factory Reset*".

Press the "ON" confirmation key to restore all the factory settings of the device.

#### G. Exiting the configuration\*

To exit the "Configuration" menu, press the key "▲" or "▼" until you hear the voice announcement "*Exit the configuration*".

Press the "ON" confirmation key to exit the "Configuration" menu.

If no key is pressed within 15 seconds, the device automatically exits the "Configuration" menu.

## 7. MOBILE PHONE / MP3 PLAYER PAIR UP

- Make sure the B902 is turned off.
- Put the system in the "Pairing up" menu: press the "ON" key and keep it pressed for 4 seconds, until you hear the voice announcement "*Pairing up Menu*".
- Press the key "▲" to access the "Mobile phone pair up mode".
- Activate the search of Bluetooth devices on the mobile phone.
- Select the N-Com device. If a password is requested, enter 0000 (four zeros).
- Connection between the two devices is established after a few seconds.

**N.B.:** The affiliation is stored in the helmet and in the cell phone and it is not lost when the two devices are turned off. As a result it needs to be carried out only once.

<b>Automatic Connection</b>	Once the Bluetooth device has been paired up, connection is automatic when the system is turned on.
<b>Manual Connection</b>	In case connection is not automatically initiated after a few seconds, you can connect from the Bluetooth device or by pressing "ON" and keep it pressed for about 2 seconds.

## 8. SECOND MOBILE PHONE PAIR UP

The B902 system can be hooked up to two phones at the same time. The second phone (secondary device) can receive calls but not make them.

To pair up the second Bluetooth phone (secondary device):

- Make sure the B902 is turned off.
- Put the system in the "Pairing up" menu: press the "ON" key and keep it pressed for 4 seconds, until you hear the voice announcement "*Pairing up Menu*".
- Press the "▲" key until you reach the option "*Second mobile phone pairing*".
- Activate the search of Bluetooth devices on the mobile phone.
- Select the N-Com system from the list. If a password is requested, enter the code 0000 (four zeros).
- After a few seconds, the connection between the two devices is activated.

**N.B.:** The affiliation is stored in the helmet and in the cell phone and it is not lost when the two devices are turned off. As a result it needs to be carried out only once.

Once the Bluetooth device has been paired up, connection is automatic when the system is turned on.




## 9. MOBILE PHONE

To pair up a mobile phone to the B902 system, follow the procedure illustrated in Chapter 7.

Answering a phone call	Briefly press any key when you hear the incoming call signal.
Vocal answer (VOX phone)	When you hear the ringtone, say any word out loud. You can enable / disable the "VOX phone" function by using the N-Com EASYSET program or the N-Com EASYSET APP. The function is not active during the intercom connection.
Voice call	Press "ON" and keep it pressed for about 2 seconds.
Hanging up/rejecting a phone call	Press "ON" and keep it pressed for about 2 seconds.
Manual phone connection	Press "ON" and keep it pressed for about 2 seconds.

### 9.1. Speed dial

	Using the N-Com EASYSET program or the N-Com EASYSET App, you can store up to 3 of your favourite numbers, which you will be able to dial from the "Speed Dial" menu.
--	---

#### Saving the Speed Dial numbers

To assign one or more speed dialling numbers:

- To access the Configuration Menu starting with the N-Com switched on, press the keys "▲" and "▼" for 4 seconds.
- Press the "▲" or "▼" key until you hear the voice command "Speed dial".
- Press the "ON" confirmation key. You will hear the voice announcements "Speed dial 1" and "Phone connected".
- Press the keys "▲" or "▼" to select the speed dialling number to be assigned. The saved position is confirmed by the voice announcement "Speed dial 1" / "Speed dial 2" / "Speed dial 3".
- On your own mobile phone (paired up and connected to the N-Com system), call the phone number you wish to assign to the selected speed dialling position. The call is interrupted before it goes through, and the selected number will be saved; at this point you will hear the special voice announcement confirming the selection ("Save Speed Dial 1" / "Save Speed Dial 2" / "Save Speed Dial 3").

#### Using the stored numbers

To access the "Speed Dial" menu, press at the same time the "ON" and "n" keys ("Speed Dial"), then use the keys "▲" and "▼" to scroll through the menu items.

Then press the "ON" key to confirm the selection of one of the following items:

- *Last number redial*
- *Speed Dial 1*
- *Speed Dial 2*
- *Speed Dial 3*
- *Cancelled*

If you wish to exit the "Speed Dial" menu, press the "▲" and "▼" keys until you hear the command "Cancelled", then press "ON" to confirm.

**N.B.:** If no key is pressed within 15 seconds, the system exits the "Speed Dial" menu.

## 9.2. Conference call function

When a call comes in on a mobile phone connected via Bluetooth to B902, the intercom is temporarily turned off. However, if you wish to share the phone call with the other helmet, simply turn on the intercom manually during the phone call.

<b>Turning on the phone conference call function</b>	During the phone call, briefly press “n” (channel 1). During the phone call, press the “n” key twice (channel 2). During the phone call, press the “n” key three times (channel 3).
<b>Turning off the phone conference call function</b>	During the phone call, briefly press “n”.

**N.B.:** “Telephone Conference” function can only be used with the N-Com series “600”/“900”.

## 9.3. Smart Navi System

The “SMART NAVI SYSTEM” function allows you to listen to navigator directions coming from the smartphone even during an intercom call or while listening to the FM Radio.

The audio stops to allow transmission of the navigator directions from the smartphone and is automatically re-established at the end of said instructions.

The “SMART NAVI SYSTEM” function is disabled by default on the device.

You can enable / disable the function from the Configuration Menu (Chapter 6).

**N.B.:** With the Smart Navi System enabled, all audio information coming from the smartphone (for example, notification sounds) temporarily stops the audio under way.



You can enable / disable the “SMART NAVI SYSTEM” function by using the N-Com EASYSET program or the N-Com EASYSET APP.

## 10. MUSIC VIA BLUETOOTH

To pair up an Mp3 device to the B902 system, follow the procedure illustrated in Chapter 7.

<b>Play music (Play)</b>	Briefly press "ON".
<b>Pause function (Pause)</b>	When the player is connected and playing music, briefly press "ON".
<b>Next track (Skip)</b>	When the player is playing music, press "▲" for about 2 seconds.
<b>Previous track (Rew)</b>	When the player is playing music, press "▼" for about 2 seconds.

### 10.1. Sharing music via Bluetooth (A2DP Sharing)

During the intercom connection, you can start playing music by briefly pressing the "ON" key. The music will be played in both systems.

Music sharing temporarily cuts off the intercom conversation; however, this can be automatically restored by stopping the music (this is done by briefly pressing the "ON" key).

**N.B.:** Music shared through the intercom can be managed by both systems, for example, both systems can change the track by pressing the relative command.

**N.B.:** When the "Audio Multitasking" function (chapter 14) is enabled, the "Music Sharing" function is temporarily disabled.

**N.B.:** the "Music Sharing" function can only be used with the N-Com series "600"/"900".

## 11. MUSIC VIA CABLE

Connect the mini USB connector of the Multimedia Wire (not included) to the helmet and the other end to the audio device. A coloured band on the cable indicates the connector to be hooked up to the audio device.

<b>Turning on the cable audio</b>	Press the "ON" key three times.
<b>Turning off the cable audio</b>	Press the "ON" key three times.

**N.B.:** While listening to music via cable, it will not be possible to keep the intercom connection active.

## 12. NAVIGATOR PAIR UP

B902 system is compatible with the most common satellite navigators for motorcycles. For a list of compatible models and additional details, visit the website [www.n-com.it](http://www.n-com.it)

- Make sure the B902 is turned off.
- Put the system in the "Pairing up" menu: press the "ON" key and keep it pressed for 4 seconds, until you hear the voice announcement "*Pairing up Menu*".
- Press the "▲" key until you reach the option "*GPS Pair up*".
- Activate the search of Bluetooth devices on the navigator.
- Select the N-Com system from the list. If a password is requested, enter the code 0000 (four zeros).
- After a few seconds, the connection between the two devices is activated.

**N.B.:** The pair up is stored by both the helmet and the navigator hence it is not lost when they are switched off. This means that this procedure needs to be carried out only once. Once the Bluetooth device has been paired up, connection is automatic when the system is turned on.

**N.B.:** Intercom connection is automatically cut off every time the navigator gives directions and restored at the end of the message from the navigator.

Should you wish to keep the navigator audio active even during the intercom connection, please refer to chapter 14 "Audio Multitasking".

## 13. FM RADIO

Turning on the radio	Press the "ON" key twice
Turning off the radio	Press the "ON" key twice.
New station automatic search	Press "▲" and keep it pressed for 2 seconds.
Pre-setting a radio station (max. 6 stations)	Press the key "▼" and keep it pressed for about 4 seconds, until you hear the word " <i>Preset</i> ". Select the pre-setting position using the keys "▲" and "▼". Saving is confirmed by means of a voice message.
Changing radio stations (among the pre-set ones)	Press "▼" and keep it pressed for 2 seconds.



This function can also be turned on using the "N-Com EASYSET" programme or through the "N-Com EASYSET App" for Smartphone Android, iPhone, iPad.

## 14. AUDIO MULTITASKING

The Audio Multitasking function makes it possible to listen to audio coming from different sources at the same time.

When the Audio Multitasking function is enabled, phone calls, GPS directions and intercom conversations can overlap the audio of the FM radio, of the music or of the directions coming from the GPS app of a smartphone in the background at a lower volume.

The following audio overlaps are possible:

	AUDIO IN THE FOREGROUND	AUDIO IN THE BACKGROUND
A.	INTERCOM	FM RADIO
B.	INTERCOM	GPS
C.	INTERCOM	MULTIMEDIA AUDIO FROM THE SMARTPHONE
D.	PHONE CALL	GPS
E.	GPS	FM RADIO
F.	GPS	MUSIC FROM THE SMARTPHONE

### Notes:

- The Audio Multitasking function is compatible with Android devices. On iOS devices, on the other hand, the use of the Audio Multitasking function is limited.
- The Audio Multitasking function can only be used between N-Com B902 systems.

### 14.1. Enabling / disabling the Audio Multitasking function

By default, the Audio Multitasking function is disabled on the device.

It can be enabled / disabled through the Configuration Menu (chapter 6), the N-Com EASYSET program or the N-Com EASYSET APP.

Once the function has been enabled / disabled, the N-Com system needs to be switched off and then switched on in order to store the selection.

**N.B.:** When the Audio Multitasking function is enabled, the “Music Sharing” function (chapter 10.1) is temporarily disabled.

**N.B.:** When the Audio Multitasking function is enabled, the “Intercom HD” function is temporarily disabled.

### 14.2. Adjusting the volumes

Increasing or decreasing the volume of the foreground audio also increases or decreases the volume of the background audio.

The volume of the foreground audio can be adjusted through the N-Com system (chapter 4.1).

The volume of the background audio can be adjusted through the N-Com EASYSET APP (with the Audio Multitasking function enabled). The background volume is pre-set at level 5.



The “Audio Multitasking” function can be enabled / disabled by means of the N-Com EASYSET program or the N-Com EASYSET APP.

## 15. INTERCOM

The N-Com B902 system allows communication with other N-Com systems, up to a maximum distance of about 700 m (in open field, with no obstacles). The range of the communication varies depending on the N-Com systems used.

**N.B.:** The range and quality of the communication may vary significantly depending on the presence of obstacles, weather conditions, magnetic fields.

### 15.1. N-Com "600"/"900" Series Intercom pairing up

**Important:** The procedure described below refers exclusively to the pairing up between the "600"/"900" series N-Com systems.

- Make sure the systems are turned off.
- Put the systems in "Pairing up" menu: press the "ON" key and keep it pressed for 4 seconds, until you hear the voice announcement "Pairing up Menu".
- On both systems, press the key "▲" until you reach the option "Intercom pairing".
- On system A, press the key pertaining to the "pre-setting position" where you wish to save system B.

Pairing up CHANNEL 1	Briefly press "n".
Pairing up CHANNEL 2	Press the "n" key twice.
Pairing up CHANNEL 3	Press the "n" key three times.

- No key must be pressed on system B.

The Intercom connection with the selected channel is automatically activated at the end of the pair up procedure.



Through the N-Com EASYSET APP, the "Intercom Easy Pairing" can be carried out. This mode allows the N-Com systems to be recognised and stored through a QR code generated on one's smartphone.

The "Intercom Easy Pairing" function is only available for B902 systems.

### 15.2. Pairing up other N-Com

**Important:** The procedure described here below refers exclusively to the pairing up of "900" series N-Com systems with N-Com systems OTHER THAN the "600"/"900" series <sup>1</sup>.

- Make sure the systems are turned off.
- Put B902 system in "Pairing up" menu: press the "ON" key and keep it pressed for 4 seconds, until you hear the voice announcement "Pairing up Menu".
- Put the N-Com system in "Setting" mode: press the "ON" key and keep it pressed for 4 seconds, until the blue LED starts to flash quickly.
- On B902 system, press the key "▲" until you reach the option "Pairing up other N-Com".
- On B902 system, press the key pertaining to the "pre-setting position" where you wish to save the other N-Com system.

<sup>1</sup> Except for Bluetooth kit and Bluetooth kit2, which are not compatible.

<b>Pairing up CHANNEL 1</b>	Briefly press "n".
<b>Pairing up CHANNEL 2</b>	Press the "n" key twice.
<b>Pairing up CHANNEL 3</b>	Press the "n" key three times.

The Intercom connection with the selected channel is automatically activated at the end of the pair up procedure.

### 15.3. Intercom function (one-to-one connection)

To establish an Intercom connection with one of the systems stored in memory, simply press the command related to the channel where the system was saved.

<b>Connection CHANNEL 1</b>	Briefly press "n".
<b>Call CHANNEL 2</b>	Press the "n" key twice.
<b>Call CHANNEL 3</b>	Press the "n" key three times.
<b>Disconnection of active intercom</b>	Briefly press "n".

**N.B.:** In case the pre-setting position is empty, or the system being called cannot be reached within the maximum range or it is already engaged in a phone call, you will hear an error voice message.



**N.B.:** In case the Intercom connection system falls outside the range (Intercom connection interrupted), the B902 system will automatically try to reconnect every 8 seconds. Double beeps will be emitted until the Intercom connection is not restored.

If you do not want automatic reconnection, press the "ON" key to stop the automatic reconnection attempts.

The B902 system is equipped with the "VOX Intercom" function, which makes it possible to switch the intercom on and off vocally.

In order to work properly, the VOX Intercom function must be enabled on both systems connected via intercom.

The VOX Intercom function is disabled by default on the device.

 	<p>You can enable / disable the "VOX Intercom" function and set the activation sensitivity, using the N-Com EASYSET program or the N-Com EASYSET APP.</p>
--	---

If the function is enabled, the system works as follows:

- The intercom switches on automatically by saying any word out loud into the microphone of one of the two helmets.
- The intercom switches off automatically when both users do not speak for 20 seconds. If the intercom conversation was started by pressing the manual connection key, the intercom must be manually disconnected as well.

In the event that the VOX Intercom function is enabled on the device, but the last connected channel is not available or cannot be reached, it is advisable to temporarily disable the VOX Intercom function

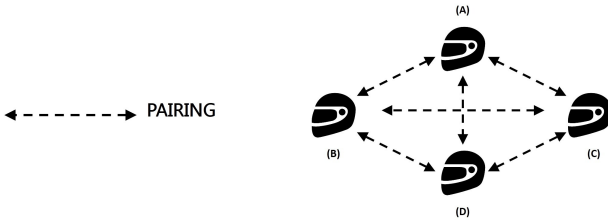
by pressing the “▼” key for 5 seconds. By doing so, the system will not attempt to connect to the last connected channel every time a word is spoken out loud. The temporary disabling of the VOX function is then removed the first time the N-Com device is turned off; so, if the VOX Intercom is enabled (from PC or APP), it will be restored the next time the device is switched on.

**N.B.:** The VOX Intercom function can be used **EXCLUSIVELY** with “900” series N-Com systems.

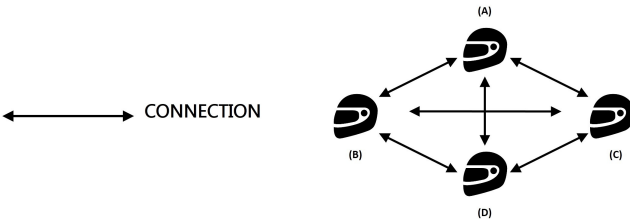
### 15.4. Smart Conference (Group Intercom)

Thanks to the “Smart Conference” function, you can start the conference communication between N-Com intercom systems of the “900” series previously paired up and saved in the 3 available channels. All systems must be turned on and available within the connection range.

1. Each system must have been previously paired up to all the other systems: B, C and D.



2. Any system can press the “n” key for 2 seconds to activate the Group Conference or to start a conference communication between all the systems.



3. In the case where one of the systems presses the “n” key or falls outside the connection range, the group intercom is interrupted.

<b>Smart Conference connection</b>	Press the “n” key for 2 seconds. Activation is confirmed by a beep in the helmet and by the voice message “ <i>Group Intercom</i> ”.
<b>Smart Conference disconnection</b>	Briefly press the “n” key. Disconnection is confirmed by the voice announcement “ <i>Group Intercom terminated</i> ”.

**N.B.:** During a “Smart Conference” call, connection to the mobile phones of all participants is temporarily cut off. When the conference call ends, all phones automatically reconnect to their own intercom system.

**Note:** The “Smart Conference” mode can be used **EXCLUSIVELY** with “900” series N-Com systems”.

**Note:** The “Smart Conference” mode **CANNOT** be used with systems paired up in Universal Intercom mode (chapter 16).



## 16. "UNIVERSAL INTERCOM" INTERCOM

The N-Com B902 system can be connected via Bluetooth to intercom systems of other brands, thanks to the UNIVERSAL INTERCOM function <sup>2</sup>.

### 16.1. Pairing up the UNIVERSAL INTERCOM

The N-Com system can be paired up to the other intercom (from now on referred to as Intercom **B**) as if it was a mobile phone.

- Make sure the B902 is turned off.
- Put the B902 system in the "Pairing up" menu: press the "ON" key and keep it pressed for 4 seconds, until you hear the voice announcement "*Pairing up Menu*".
- Press the "▲" key until you reach the option "*Universal intercom pairing*".
- Put intercom B in the mobile phone pairing up mode. **Important:** If the intercom allows management of two mobile phones, put it in pair up mode of the second mobile phone. By doing so, it will be possible to maintain the connection to your own mobile phone even during intercom communication (refer to the Intercom B manual).
- On the B902 system, press the control related to the "memory position" where you wish to store intercom B.

<b>Pairing up of CHANNEL 1</b>	Briefly press key "n".
<b>Pairing up of CHANNEL 2</b>	Press 2 times key "n".
<b>Pairing up of CHANNEL 3</b>	Press 3 times key "n".

**N.B.:** In case there are already other intercom systems stored in the memory of the B902 system, check on the EASYSET N-Com App which channels are still available. If a channel that is already used is selected during pair up, the new intercom system will overwrite the one previously stored on that channel.

- After a few seconds, Intercom B will emit the confirmation beep.

### 16.2. Universal Intercom Function

To turn on and off the audio between two helmets, proceed as follows:

#### From the N-Com B902 system:

Connect or disconnect Intercom B as you would for a regular N-Com intercom (chapter 15). Intercom B may receive a dialling tone that must be answered with a phone reply command.

#### From intercom B

To enable the intercom connection, press the "*Voice Call*" or "*Last number redial*" command. To disable the intercom connection, press the "*Hang up*" or "*Reject phone call*" command.

**N.B.:** Some systems are not able to handle the activation / deactivation of the intercom connection. In this case, operate from the B902 system.

---

<sup>2</sup> Except for Bluetooth kit and Bluetooth kit2, which are not compatible

**N.B.:**

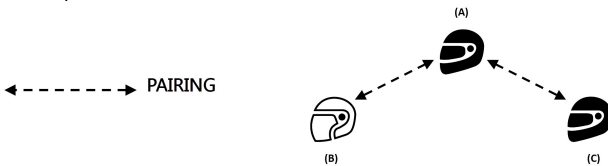
- During use of the UNIVERSAL INTERCOM, the B902 system keeps the connection active to the MAIN DEVICE only (and not to the SECOND MOBILE PHONE or to the SATELLITE NAVIGATOR).
- The intercom system connected to N-Com B902 may not allow simultaneous connection to a mobile phone.
- Only one system paired up in Universal Intercom mode can be stored.

**16.3. Universal Conference (chain intercom)**

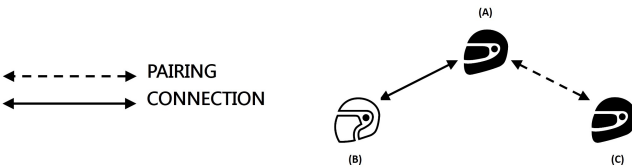
The "Universal Conference" mode can be used to connect in conference call N-Com systems of the "900" series and one system paired up in Universal Intercom mode.

The connection procedure is outlined in the diagram provided here below:

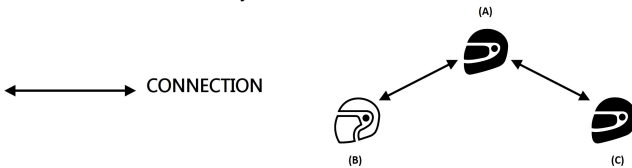
1. System A must have been paired up beforehand to two B systems (Universal Intercom pair up) and C.



2. System A has to initiate the first intercom connection with system B (Universal Intercom), by pressing the relative intercom connection command.



3. At this point, system C can join the intercom conference call, establishing an intercom connection with system A.



4. The three systems are now in intercom conference call mode and can talk to each other at the same time.
5. In case you wish to add another system (D), the latter must be paired up beforehand to system C. Press the relative connection command to start a 4-participant intercom conference call.

**Note:** The "Universal Conference" mode can also be used by connecting only "900" series N-Com systems".

**Note:** The "Universal Conference" mode can also be used by connecting "900" series N-Com systems with other N- Com devices (B601, B5, B1.4, etc.).

## 17. REMOTE CONTROL

The B902 device can be controlled by using a remote control (sold separately), so that you do not have to take your hands off the handlebars to use the keypad.

The N-Com system is compatible with the RC4 Remote Control by SENA.

The following table shows the correspondence of the keys:

N-COM SYSTEM	▲	▼	ON	N
SENA RC4	+	-	CENTRAL KEY	MULTI-FUNCTION KEY

Proceed as follows to pair up the N-Com system to the RC4 Remote Control:

- Make sure the RC4 is switched off.
- Put the RC4 in pair up mode: press the key "+" and keep it pressed for about 8 seconds.
- Make sure the B902 is switched off.
- Put the B902 system in the "Pairing up" menu: press the "ON" key and keep it pressed for 4 seconds, until you hear the voice announcement "*Pairing up Menu*".
- Press the "▲" key to access the "Remote control pair up" mode.
- Press the "ON" key on the N-Com system keypad.
- After a few seconds, the connection between the two devices is confirmed by the voice announcement "*Remote control connected*".

**N.B.:** The affiliation is saved by both the helmet and the remote control and it is not lost when the two systems are turned off. Hence this procedure must only be carried out once.

## 18. BATTERY AND RECHARGE

### 18.1. Low battery signal

During its operation, the system alerts the user with a voice message when the battery is low. From the first message, the system has a 1-hour autonomy. Warning is given every 10 minute.

### 18.2. Checking the Battery Level

#### LED Indicator

When the system is powering on, their blue LED flashes rapidly indicating the battery level.

4 flashes = High, 70 ~ 100%

3 flashes = Medium, 30 ~ 70%

2 flashes = Low, 0 ~ 30%

#### Vocal Indicator

Starting from the system turned off, press at the same time the "ON" and "▲" keys for about 3 seconds until you hear three, high toned beeps. Then you will hear a voice prompt indicating the battery level. However, if you release the keys as soon as the system turns on, you will not hear a voice prompt for the battery level indication.

### 18.3. Charging the system

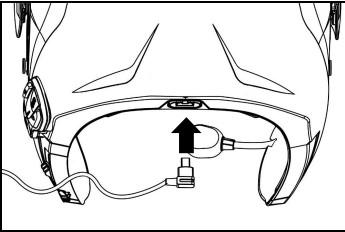


Fig. 29

To charge the system, hook it up to the battery charger supplied as standard equipment or to a USB outlet powered with the USB-mini USB cable supplied as standard equipment.

The charge will take place as follows:

<b>B902 system turned off</b>	When the B902 system is connected to the battery charger, the blue LED starts to flash quickly. When the battery is charged, the blue LED becomes steady.
<b>B902 system turned on</b>	When the B902 system is connected to the battery charger, the blue LED starts to flash quickly. When the battery is charged, the blue LED goes back to its standard flashing.

**N.B.:** In case you are not planning on using the N-Com system for a long time, you need to fully recharge the device before storing it away.

**N.B.:** In case the device is not used for a long time, carry out a complete recharging cycle of the device at least once every 6 months to avoid possible damage to the battery.

**N.B.:** In case the N-Com system is left for more than 6 months without ever being recharged, the device may not switch on; in this case, recharge the N-Com system for at least 24 hours (even if the blue signalling LED is not flashing), then try to switch on the device again.

## 19. SUMMARY TABLE OF CONTROLS

Key		n	ON	▲	▼	▲ + ▼
Basic Functions	Turning on		2 sec			
	Turning off		6 sec			
	Increase Volume			X		
	Decrease Volume				X	
	Pairing up Menu***		4 sec			
	Configuration Menu					4 sec
Bluetooth Devices	Answer phone call*	X	X	X	X	
	Voice call		2 sec			
	Speed Dialling Menu**	X	X			
	Hang up/reject a phone call		2 sec			
	Manual Device Connection		2 sec			
	Phone Conference Activation CHANNEL 1	X				
	Phone Conference Activation CHANNEL 2	x2				
	Phone Conference Activation CHANNEL 3	x3				
Turning off the Conference function	X					
Bluetooth Music / Cable	Play music (Play)		X			
	Pause Function (Pause)		X			
	Next track (Forward)			2 sec		
	Previous track (REW)				2 sec	
	Share A2DP music		X			
	Activate audio via cable		x3			
	Deactivate audio via cable		x3			
N-Com Intercom (600/900 series)	Connection CHANNEL 1	X				
	Disconnection of active intercom	X				
	Calling CHANNEL 2	x2				
	Calling CHANNEL 3	x3				
	Group intercom connection	2 sec				
	Group intercom disconnection	X				
Radio Menu	Turning on the Radio		x2			
	Turning off the Radio		x2			
	Automatic search for new station			2 sec		
	Change station (pre-set stations)				2 sec	
	Pre-set station				4 sec	

\*Press any key on the N-Com keypad.

\*\*Press the keys at the same time.

\*\*\*Starting with the system switched off.

## 20. WARRANTY

With this WARRANTY CERTIFICATE, Nolangroup warrants to the purchaser that the product, at the time of purchase, is free from defects in materials and workmanship.

We kindly ask you to:

- Read the warnings for safety and proper use.
- Read the warranty terms and conditions.
- **Keep the original purchase receipt.** This receipt must be presented in case of repairs under warranty. In these cases, the product must be sent to the dealer where the purchase was made.

### 20.1. Warranty coverage and validity

If any defect covered by this warranty certificate is detected within the period specified for the country of purchase (see table at the bottom of this leaflet) from the date of purchase shown on the receipt, Nolangroup will repair or replace the defective product through its distribution network and after having verified the defect. Nolangroup will provide all material and labour reasonably necessary to remedy the claimed defect, except in the cases where damage is caused by one of the items listed in the following paragraph "Exclusions and limitations of coverage".

### 20.2. Exclusions and limitations of coverage

This warranty covers only defects in materials and workmanship.

Nolangroup cannot be held liable for product defects attributable in whole or in part to any other cause, including but not limited to:

- Defects or damage resulting from use of the Product in conditions other than the usual ones.
- Damage caused by improper use and not in compliance with normal operation as indicated in the instructions for use and maintenance of the product provided by Nolangroup.
- Neglect and normal wear and tear of internal and external parts.
- Any damage resulting from an accident.
- Any modification or tampering made to the helmet or to the N-Com system by the user or third parties.
- Use of incompatible accessories not approved by Nolangroup for the purchased N-Com device model.
- Consumable parts considered to be subject to wear and tear, such as the rechargeable battery and the connection cables between N-Com systems and other devices.
- The proper functioning of the product/peripheral device combination when the product is used together with accessories or equipment for which Nolangroup has not verified compatibility.
- All specific and subjective situations that may arise during actual use of the helmet, such as, for example, problems related to comfort while riding or aerodynamic noise.

Under no circumstances shall Nolangroup be liable for any incidental or consequential damages (including, without any limitation whatsoever, injuries to one or more persons) resulting from failure to fulfil the obligations arising from this warranty regarding Nolangroup products.

### 20.3. Procedure for submitting claims

In order to submit any claim covered by this warranty, the purchaser must notify directly the dealer where the N-Com system was purchased of the alleged defect, presenting at the same time the product which is the object of the claim and a copy of the sales receipt.

PRIOR TO CONTACTING THE DEALER, WE RECOMMEND THAT YOU CAREFULLY READ THE INSTRUCTIONS FOR USE ENCLOSED WITH THE PRODUCT.

THE WARRANTY IS EFFECTIVE EXCLUSIVELY FROM THE DATE OF PURCHASE UNTIL THE PERIOD INDICATED FOR THE COUNTRY WHERE THE PRODUCT WAS PURCHASED (please see table provided at the end of this leaflet).

Any repairs or other jobs carried out under warranty do not extend the period of the warranty itself. Hence, in case the product or one of its components is replaced, this does not mean the start of a new warranty period, as the purchase date of the original product will be taken into account for warranty purposes.

Only for repairs or replacements of electronic components, if Nolangroup repairs or replaces the product, the product will have a warranty period equal to the remaining part of the original warranty or ninety (90) days from the date of repair (whichever is longer).

Repair or replacement may also be carried out using regenerated components with equivalent functions. Replaced parts or components will become the property of Nolangroup.

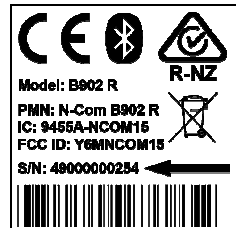
NOLANGROUP RESERVES THE RIGHT TO CHANGE CHARACTERISTICS, FUNCTIONALITY, COMPATIBILITY AND SOFTWARE AT ANY TIME, WITH NO NEED FOR ADVANCE NOTICE.

This warranty does not affect the customer's legal rights under applicable national jurisdiction and the consumer's rights vis-à-vis the dealer under the purchase/sale agreement.

#### 20.4. Product identification

N-Com products are identified by means of a code that allows their traceability and identification.

The identification code can be found on the adhesive label affixed to the B902 system.



## 20.5. Validity of N-Com warranty

NATION	VALIDITY 2 YEARS	VALIDITY 1 YEAR
ALBANIA		X
ALGERIA		X
SAUDI ARABIA		X
ARGENTINA		X
AUSTRALIA		X
AUSTRIA	X	
BAHRAIN		X
BELGIUM BRP	X	
BERMUDA		X
BOLIVIA		X
BOSNIA-HERZEGOVINA		X
BRAZIL		X
BULGARIA	X	
BURKINA FASO		X
CANADA		X
CANADA BRP		X
CHILE		X
CHINA		X
CYPRUS	X	
COLOMBIA		X
SOUTH KOREA		X
COSTA RICA		X
DENMARK	X	
ECUADOR		X
EL SALVADOR		X
UNITED ARAB EMIRATES		X
PHILIPPINES		X
FINLAND	X	
FRANCE	X	
GERMANY	X	
GHANA		X
JAPAN		X
JORDAN		X
GREAT BRITAIN	X	
GREECE	X	
GUADALUPE		X
GUATEMALA		X
FRENCH GUYANA		X
HONG KONG		X
INDONESIA		X
IRAN		X
ICELAND		X
ISRAEL		X
KAZAKHSTAN		X
KUWAIT		X

NATION	VALIDITY 2 YEARS	VALIDITY 1 YEAR
LEBANON		X
MACEDONIA		X
MALAYSIA		X
MALTA	X	
MOROCCO		X
MAURITIUS		X
MEXICO		X
MONTENEGRO		X
NORWAY		X
NEW CALEDONIA		X
NEW ZEALAND		X
OMAN		X
NETHERLANDS	X	
PAKISTAN		X
PARAGUAY		X
PERU		X
FRENCH POLYNESIA		X
POLAND	X	
PORTUGAL	X	
QATAR		X
CZECH REPUBLIC	X	
SLOVAK REPUBLIC	X	
REUNION		X
ROMANIA	X	
RUSSIA		X
SAINT-MARTIN		X
SERBIA		X
SINGAPORE		X
SLOVENIA	X	
SPAIN	X	
UNITED STATES		X
SOUTH AFRICA		X
SWEDEN	X	
SWITZERLAND		X
THAILAND		X
TAIWAN		X
TANZANIA		X
TRINIDAD & TOBAGO		X
TUNISIA		X
TURKEY		X
UKRAINE		X
HUNGARY	X	
VENEZUELA		X
ZAMBIA		X